

2015



WESTERN™

PRODUCTS OF INDIANA



Box or Round

You're on the right track with



Whether you use box track or round track, you'll find the strength, shape, and size, you desire in door tracks, hangers, trolleys, brackets, sliding door accessories, door frames and horse stalls from **Western Products**.

Choose from our box track options of **400 lb.** to **1,000 lb.** capacity, or our round track at **600 lb.** capacity. Discover the convenience of **Western's** complete product line.

Western is known for its customer service and customer loyalty. Most of our track orders are shipped from inventory within 3 to 5 business days.

Quality, Service, and Pricing is important to this family-owned and operated company and has been since **1929**. A lot has changed since then, but not the commitment to service our customers!. Call us with your requirements today, and lets build the future together.

[visit us at WesternProductsInc.com](http://WesternProductsInc.com)

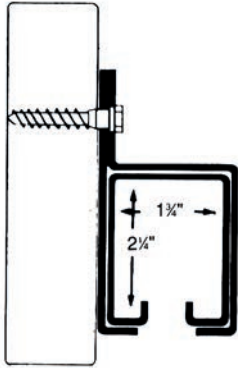


BOX TRACK AND BRACKETS

www.westernproductsinc.com

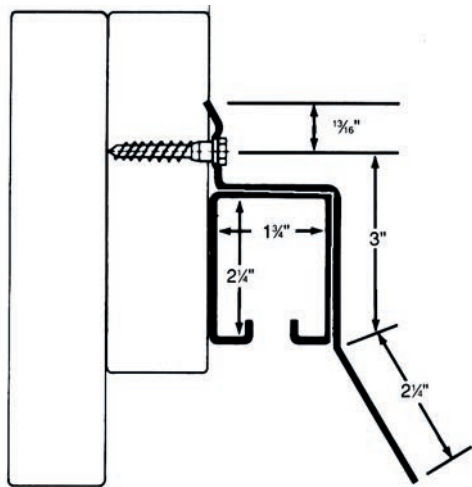
BOX TRACK OPTIONS

#2 Track



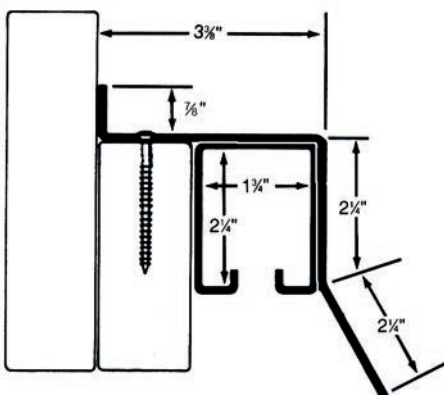
Versatile and popular. Use with any bracket shown on pages 5 and 6. For single track runs, space brackets 24" on center. Double-track runs require brackets every 18" o.c. respectively. Track is 16 gauge galvanized steel. Available in 8, 10, 12, 14, 16, 20, and 24 foot lengths.

#7 Track



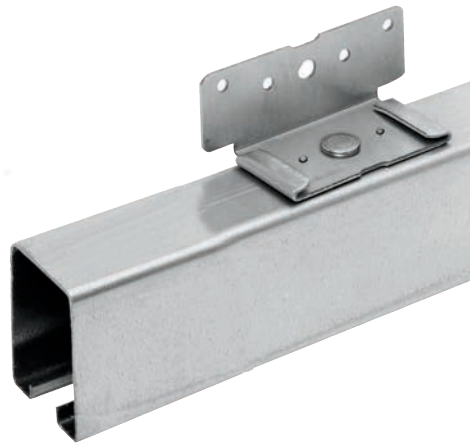
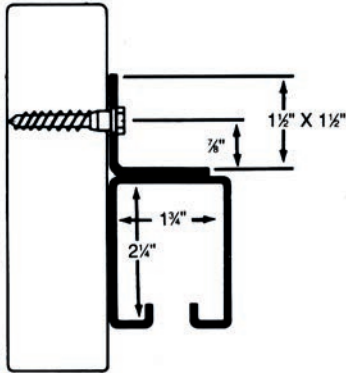
Works well with new construction or remodeling projects. Extra-wide galvanized cover is mechanically attached to box track and shields top of door from rain, snow, and ice. No brackets or flashing required. Mount with 5/16" lag screws or bolts. Available in 8, 10, and 12 foot lengths.

#8 Track



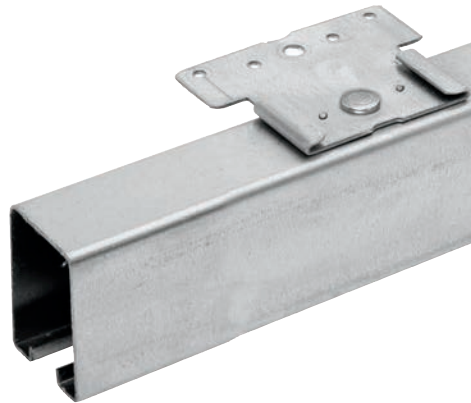
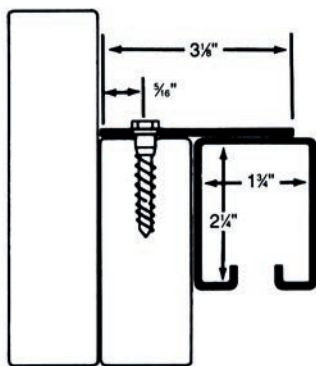
The ultimate labor-saving track. No brackets or flashing required with the prepainted white cover; attach with 1-1/2" ring-shank neoprene washer nails. White cover is mechanically attached to box track and shields top of door from rain, snow, and ice. Available in 8, 10, and 12 lengths.

Box track, 16 gauge galvanized steel for doors weighing up to 400 lbs. To order, specify track number and length, in bundle quantities per price list.



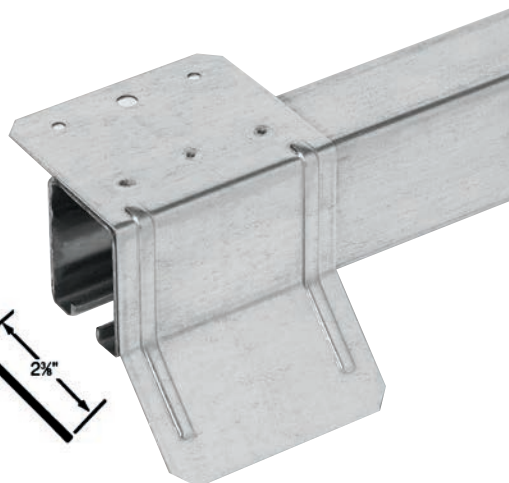
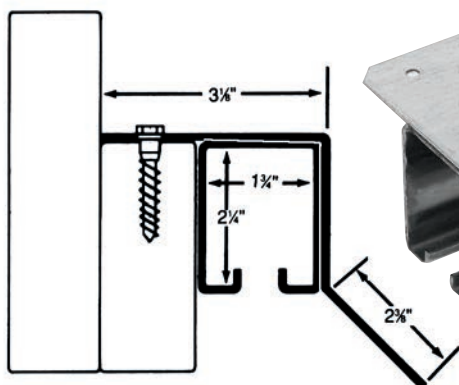
#9 Track

Face mount track attaches with 5/16" lag screws or bolts. Mounting brackets are approximately 24" on center and attached with rivets at the factory. Available in 8, 10, 12, 14, 16, and 20 foot lengths.



#10 Track

Top mount track attaches with 1-1/2" ring shank neoprene washer nails. (5/16" lag screws or bolts may also be used if desired.) Mounting brackets are approximately 24" on center and attached with rivets at the factory. Available in 8, 10, 12, 14, 16, and 20 foot lengths.



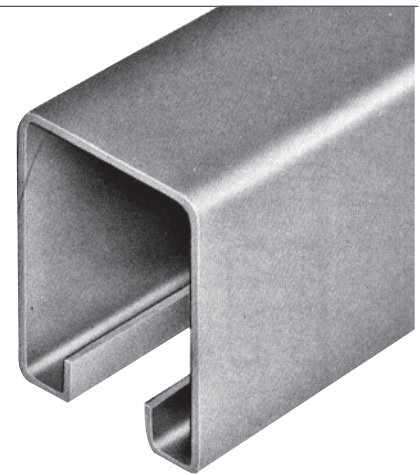
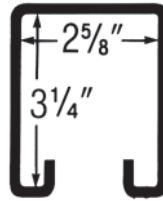
#510 Track

Top mount track attaches with 1-1/2" ring shank neoprene washer nails. (5/16" lag screws or bolts may also be used if desired.) Combination mounting/flushing brackets are projection welded at the factory, and are approximately 24" on center. Available in 8, 10, 12, 14, 16, and 20 foot lengths.

HEAVY DUTY TRACK SYSTEM

#4 Heavy Duty Track (1000 lb. Capacity)

For doors 2-1/4" to 3-1/4" thick, weighing up to 1000 lbs. if brackets are spaced no more than 18" on center. (Double brackets - 12" o.c.) Extra heavy duty 13-gauge track with galvanized finish for long corrosion-free life. Available in **8, 10, and 12 foot lengths.**



Track Brackets

Brackets are made of heavy-duty 3/16" steel, with zinc-plated finish. Mounting holes accommodate 3/4" bolts or lag screws (not included).

9-4C



9-4J



4-4C



8-4C



8-4J



Hangers/Trolleys

Made of heavy-duty 11 gauge galvanized steel, both are vertically and laterally adjustable. Wheels are 3" in diameter, 5/16" thick, and zinc plated. Bolt size is 5/8" x 11" - 5" long. (For doors 2 3/8" - 4" wide)

251-S-1
(Hanger)



251-S-1T
(Trolley)



TRACK ACCESSORIES AND COVERS

End Blinds

#2 Track End Blind snaps into bracket to keep track free from birds, weather and other obstructions. For use with #2 Track Brackets.



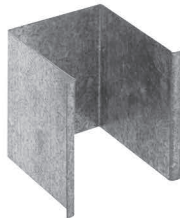
2-EB

Track end blind is to be used with #7 and #8 covered track. Bolt and nut included.



7-8EB

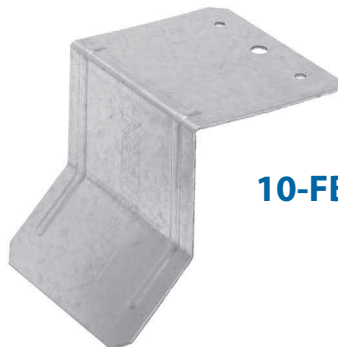
#4 Track End Blind is designed for use with Heavy Duty #4 Track Brackets.



4-EB

Flashing Bracket

Flashing Brackets may be nailed over track to provide support for compatible flashing. Top Mount 10-FB Flashing Bracket is used with #10 and #510

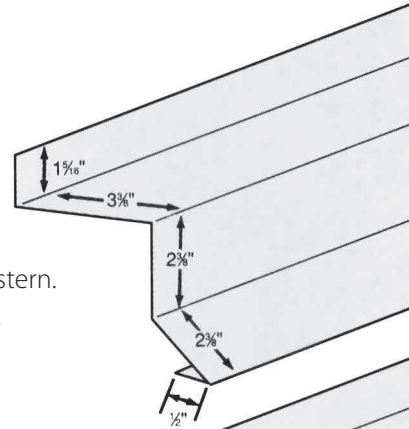


10-FB

Covers

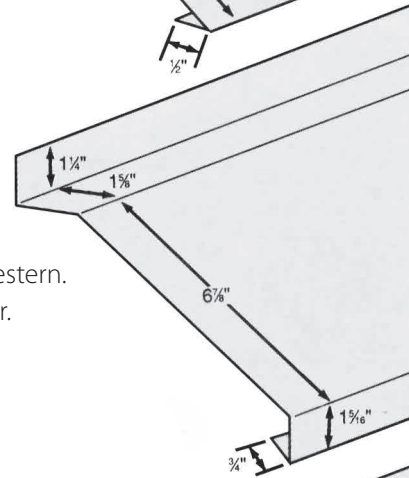
510 Track Cover

Not manufactured by Western. See your local trim dealer.



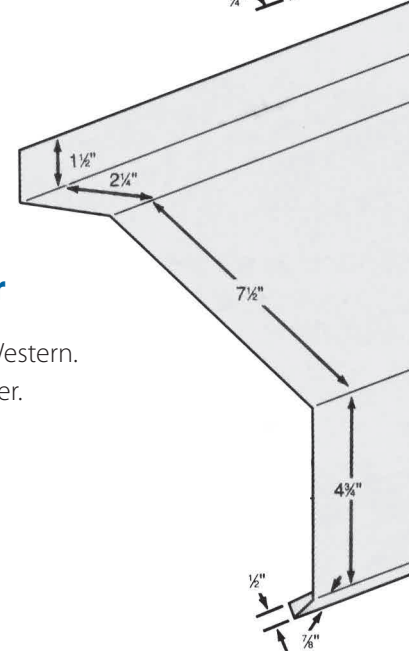
3 Track Cover

Not manufactured by Western. See your local trim dealer.



8-3C Track Cover

Not manufactured by Western. See your local trim dealer.



NOTE: All the above covers meet industry measurement standards and are compatible with most other track and hardware.

SINGLE TRACK BRACKETS

Face Mount

9-2C Track Bracket

Self clamping single track bracket, can also be used for joining two pieces of box track.



Adjustable Face Mount

9-2S Track Bracket

Adjustable face-mount bracket has two mounting holes for 3/8" lag screws or bolts. Especially appropriate for **metal buildings**.



Joint Bracket

9-2J Joint Bracket

A single splice bracket with two set screws to hold joining ends of track in alignment for long, smooth runs.



9-2SJ Joint Bracket

Special clamping feature allows firm track splices for long, smooth runs, when joining two pieces of track. Joint bracket has two mounting holes for 3/8" lag screws or bolts especially appropriate for **metal buildings**.



Ceiling Mount

4-2C Track Bracket

For overhead track mounting.



DOUBLE TRACK BRACKETS

Track Bracket

8-2C

Double Track Bracket

Adjustable face-mount bracket has two mounting holes for 3/8" lag screws or bolts. Especially appropriate for **wood header** board.



8-2S

Double Track Bracket

Adjustable face-mount bracket has two mounting holes for 3/8" lag screws or bolts. Especially appropriate for **metal buildings**.



8-2SFB

Double Track Bracket

Adjustable face-mount bracket has two mounting holes for 3/8" lag screws or bolts. The flashing bracket is pre-attached at the factory to accept a double track cover. Especially appropriate for **metal buildings**.



Joint Bracket

8-2J

Double Joint Bracket

Adjustable face-mount bracket has two mounting holes for 3/8" lag screws or bolts. Especially appropriate for **wood header** board, when joining two pieces of track.



8-2SJ

Double Joint Bracket

Adjustable face-mount bracket has two mounting holes for 3/8" lag screws or bolts. Especially appropriate for **metal buildings**, when joining two pieces of track.





BOX TRACK HANGERS AND TROLLEYS

www.westernproductsinc.com

HANGERS & TROLLEYS... FOR SMOOTH RUNNING DOORS

Western Hangers and Trolleys are designed for easy rolling and dependability, featuring heavy-duty stamped wheels and precision-machined axles. All exposed parts are made from heavy-gauge galvanized or zinc-plated steel. The standard hangers and trolleys feature oiled-for-life steel bearings with the most popular models, available in heavy duty ball bearings. Choose **RB** series for **ball bearings**.

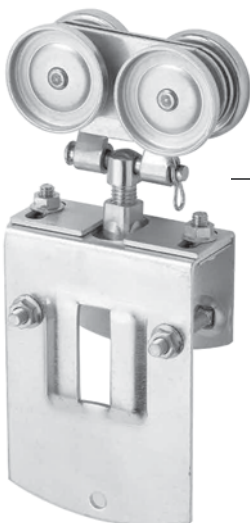
100-HD

This one-piece apron door strap hanger is laterally and vertically adjustable. Comes with 6-5/16" - 2-1/2" carriage bolts for attaching door straps; supports door up to 400 lbs.



RB-100-HD

Same as above with **ball bearings**.

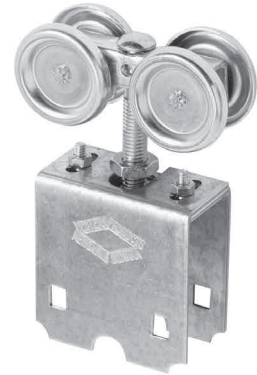


RB-32-LB

This **ball bearing** apron hanger has vertical and horizontal adjustments. Flexible coupling between hanger and drop straps assures door will hang plumb. The connecting pin allows the drop strap to be mounted to the door before hanging, when required.

102-S1-L

Adjustable rigid bolt hanger for doors 1-1/2" to 2-3/8" thickness. Includes four 5/16" carriage bolts per pair.



102-S1-T

Vertically adjustable with a rigid bolt. Bolt is 1/2" x 4-1/2" with 2" thread and two hex nuts.



RB-102-HD

This one-piece apron door strap is laterally and vertically adjustable with a rigid 1/2" x 4-1/2" straight bolt, **ball bearings**, and 6-5/16" - 2-1/2" carriage bolts.



107-L

Adjustable, pivot and swing-free action. Doors 1-1/2" to 2 3/8" thickness. Includes four 5/16" carriage bolts per pair.



RB-107-L

Same as above with **ball bearings**.

RB-309-T

The drop bolt installs vertically through the top frame member (wood or metal) of the door. This **ball bearing** trolley has vertical and horizontal adjustments. The horizontal adjustment bolt is easily accessible after installation. The connecting pin allows the drop bolt to be mounted to door before hanging, when required.



302-T

Popular bolt-through design speeds installation. Long 1/2" x 10" offset bolt can be used with a variety of door materials, and utilizes Western's original girt clip. This offset bolt offers a lateral adjustment and generous vertical adjustment.



307-T

This 1/2" x 9" offset bolt has two flat sides milled into the bolt for use with Western's "**Easy Lock**" Door System. The special washer has **8 holes** in it for easy adjustment for locking system in place (with a self tapping screw) once all adjustments have been made.



RB-307-T

Same as above with **ball bearings**.

RB-202-T

Designed for the woven wire industry, this two-wheeled **ball bearing** trolley features a 1/2" x 4 1/2" bolt for easy vertical adjustment with two flat spots machined into the bolt.





SLIDING DOOR ACCESSORIES

SLIDING DOOR
ACCESSORIES

www.westernproductsinc.com

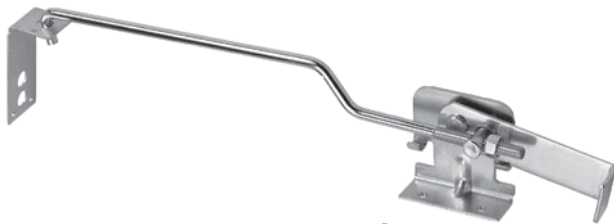
SLIDING DOOR ACCESSORIES

Latches



600 Jamb Latch

This 7" Jamb latch/snugger is used on the inside of jamb to secure sliding doors, and can be used for either right or left hand applications. The strike plate is lumber-fit for easy installation.



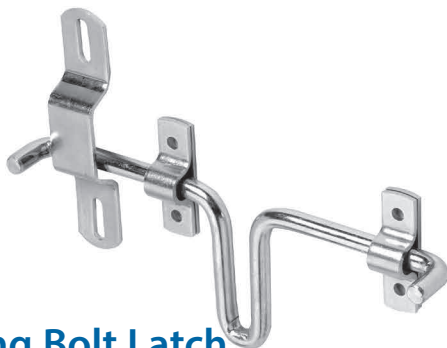
610 Center Door Latch

Easily and tightly secures bi-parting doors with cam-action latch. A strong bolt hooks at one end to fit strike plate; opposite end is threaded to allow adjustment of latch tension. For wood doors 1-1/2" or thicker.



620 Sliding Latch

Reversible, use right or left hand operation. Sturdy 1/2" x 8" solid steel bolt. Zinc plated. Add padlock by placing heavy staple or hasp in slotted handle. Includes fasteners.



630 Sliding Bolt Latch

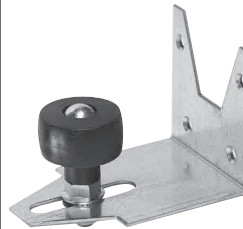
Ideal for livestock/horse barns, this heavy duty 1/2" x 10" steel bolt doubles as a handle/pull, and may be latched at left or right. Mounting screws included and installation guide is on package label.

Stay Rollers



585 Stay Roller

Wall mounted. Adjustable for doors 1-1/4" to 3-5/8" thick. Reversible, 2" non-marking plastic wheel. Frame is 3/16" zinc plated steel, 1-1/4" wide x 4-1/2" long.



780 Stay Roller

Wall mounted with 2" diameter non-marking plastic wheel. Adjustable and reversible for doors 1-1/2" to 2-1/2" thick. Frame is 1/8" thick, 3-1/2" wide, 4" long and zinc plated.



800 Stay Roller

This heavy duty stay roller is fabricated from 3/16" zinc plated steel, and adjust for doors 1" to 3-3/4" thick. The 2" non-marking plastic wheel is mounted on a sturdy 1/2" bolt.

Door Pulls



50-3 Door Pull

This door pull is 1-1/4" wide and has a 6-5/8" overall length. Retains 1-3/4" deep clearance to allow use with gloved hand. Order 50-3 for zinc plated finish, 50-3W for white powder coated. 50-3B for black powder coated.



50-5 Door Pull

Extra heavy construction for use with heavy doors. With a 7-7/8" over-all length, 2" wide, 7/16" holes. Formed 1-3/4" deep to allow easy use, even with gloved hand. Order 50-5 for zinc plated finish or 50-5W for white powder coated finish.

SLIDING DOOR ACCESSORIES

Door Binders/Stops

537 Single Binder/Stop

Offset is 2" x 3-1/4". Overall length is 7" and is fabricated from 3/16" x 1-1/2" zinc plated steel. Holes accept 3/8" bolts or lag screws. (not included.)



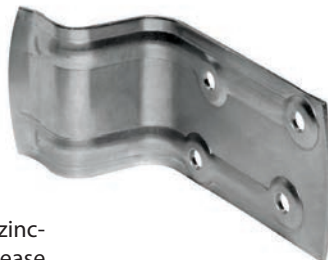
550 Adjustable Door Binder/Stop

Heavy duty, adjustable for single side or bi-parting doors. Widths 2-1/2" to 3-1/8" thick.



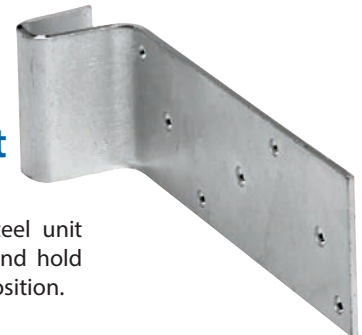
540 Door Binder/Stop

For 2" doors, made from rugged zinc-plated steel and ribbed to increase strength. Holes accept 5/16" bolts or lag screws (not included).



560 Jamb Mount Door Stop

2-1/2" x 8-1/2" galvanized steel unit extends from jamb to stop and hold doors in the open or closed position.



545 Adjustable Door Guide/Stop

This adjustable guide may be expanded in width for doors from 2-1/2" to 6" thick. Curved surface gives natural lead-in. This door guide also mounts sideways for use as a stop. Easy to install, available in powder-coated white finish.



Miscellaneous

618 Cane Bolt

1/2" diameter rod x 18" in length zinc plated. Fancy mounting brackets and screws included.



624 Cane Bolt

5/8" diameter rod x 24" in length zinc plated. Fancy mounting brackets and screws included.



548 Adjustable Door Stop

This adjustable door stop is made for doors up to 4 1/4" thick (white powder coated).



900 Chain Snugger

Ring and hook simply secure a chain to desired length for holding bi-parting sliding door together. Designed for use with clad wood-frame doors.

528 Stake Holder

Ideal for vertical post applications. This design prevents tapered 2 x 4 from sliding thru holder. Heavy duty steel construction. (1-3/4" x 3")





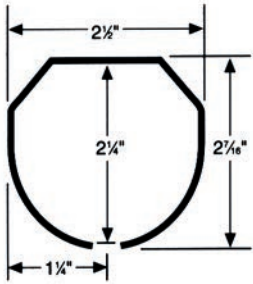
ROUND TRACK AND BRACKETS

ROUND TRACK
AND BRACKETS

www.westernproductsinc.com

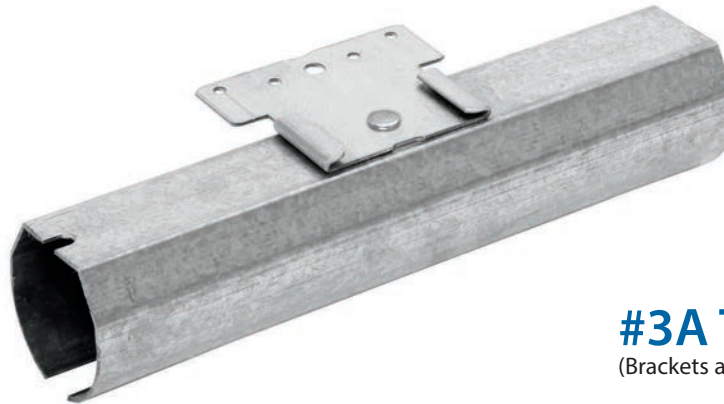
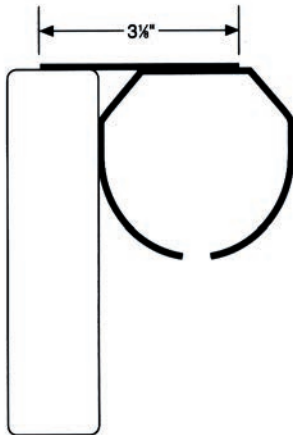
ROUND TRACK OPTIONS - #3 TRACK

Western's 600-lb. capacity round track will provide years of smooth, easy gliding operation. The self-cleaning design and corrosive resistant 14 gauge galvanized construction features are available in track slotted with a full keyway (#3 track), in track with brackets attached at the factory for top mounting (#3A), and in track with factory-attached brackets for face mounting (#3B). Slots/brackets are positioned 12" from end, 24" on center, on track sections in your choice of the following lengths for all three track products: 6, 8, 10, 12, 14, 16, 20 and 24 feet. In addition to offering track sections with factory mounted brackets, Western has engineered the keyway slots in its track with two-way movement options, allowing for easy "knock-on" application in the field. Knock all brackets in same direction (left or right) until the last bracket, where direction is reversed to make a positive lock.



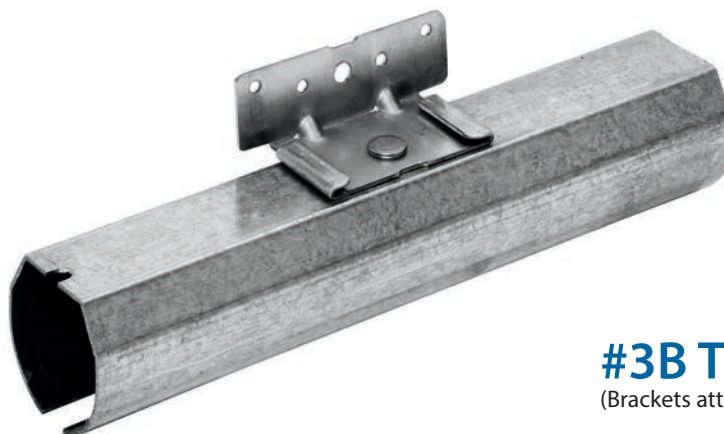
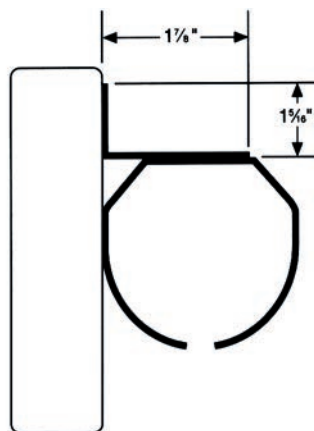
#3 Slotted

(Brackets sold separately for single and double track runs.)



#3A Track

(Brackets attached at the factory.)



#3B Track

(Brackets attached at the factory.)

SINGLE AND DOUBLE TRACK BRACKETS - #3 TRACK



8-3C Bracket

Double track bracket (face mount), bolts included. Use with #3 slotted track.



8-3CFB Bracket

Double track bracket. Same as 8-3C but with Flashing Bracket pre-attached at factory to accept a Double Track Cover and is used with #3 slotted track. (white powder coated. 600lb. total capacity)



3-1PC Bracket

For use with #3 slotted round track. Rivets fit through keyway slots in each track section, allowing track, brackets, and cover to be joined as a single unit.



3-AC

This slide-on bracket top mounts for use with #3 slotted track.



3-BC

This slide-on bracket face mounts for use with #3 slotted track.

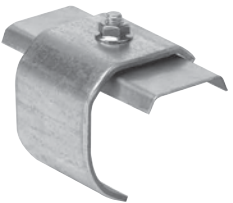


3-SLB

Bracket can be used as a ceiling mount bracket or with other angle mounting brackets.

SC-3 HD

Heavy-duty track splice collar. To be used with the 3-ASB and 3-ADB brackets. (#3 slotted track only.)



3-ASB-FB Adjustable Single Bracket

Wall mounted, and used at 12" to 18" intervals to hang track to the side of the building. Can be used with 1 1/2" and 3 1/2" doors.

Available 3-ASB without flashing bracket.



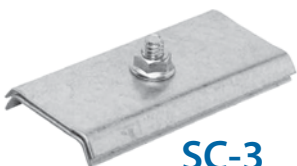
3-ADB-FB Adjustable Double Bracket

Wall mounted, and used at 12" to 18" intervals to bring double runs of track to the side of the building for by-pass installation.

Available 3-ADB without flashing bracket.



Accessories



SC-3

Round Track splice collar.



3-FB

Round Track Flashing Bracket taps in for 1 1/2" doors.



3-FB 3.5

Round Track flashing bracket taps in for 3 1/2" doors.



3-EB

Round Track End Blind with Mounting Bolt.

ROUND TRACK OPTIONS - #11 TRACK

Western's full round track is backed by a lifetime warranty, assuring years of quality operation. The 14 gauge galvanized construction will hold up to 600 pounds on single truck Delrin trolleys and 1,200 pounds on double truck trolleys*. The slotted keyway design (#11 track) is spaced 24" O.C. and allows for multiple bracket applications, making it one of the most versatile models available. Factory mounted brackets are also available ranging from top mount for track and cover (#11A track), face mount for track only (#11B track) and face mount for track and cover (#11C track). All options are available in 6', 8', 10', 12', 14', 16', 18' and 20' lengths.

The #12 White Covered Track features the 14 gauge full round track with a heavy 18 gauge factory mounted white cover to provide weather protection. This one piece design for doors up to 5" in thickness has the optional end trim and is available in 8', 10', 12', 14', 16', 18' and 20' lengths and is sold in pairs.

*Brackets mounted every 12". See accessory section for options.



#11 Slotted

(Brackets sold separately for single and double track runs.)



#11A Top Mount

(Brackets attached at the factory)



#11B Short Face Mount

(Brackets attached at the factory)



#11C Face Mount

(Brackets attached at the factory)



#12 White Covered

18 GA. white cover attached at the factory
*for doors up to 5" thick

SINGLE AND DOUBLE TRACK BRACKETS - #11 TRACK



SC-11 Splice
Round track splice collar for use with #11 slotted track.



11-AC Bracket
This slide-on bracket top mounts and supports cover. Used with #11 slotted track.



11-BC Bracket
This slide-on bracket face mounts and is used with #11 slotted track.



11-1PC Bracket
This slide-on bracket face mounts and supports cover. Used with #11 slotted track.



11-DB Bracket
Double track bracket face mounts. Used with #11 slotted track. (**11-SB bracket also available**).



11-CRB Cover Bracket
Cover support bracket to be used with **11-3A** and **11-3C** brackets.



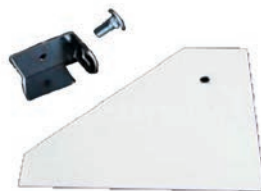
11-SLB Bracket
Face mounted heavy duty bracket allows adjustment in spacing. Also acts as splice. Use with #11 slotted track.



11-DLB Bracket
Face mounted heavy duty double bracket for by-pass installation. Use with **11-1PC** for cover. Use with #11 slotted track.



11-EB End Blind
Round track end blind with mounting bolt to be used with #11 slotted track.



12-ET End Trim
End trim package to finish the ends of #12 white covered track. Sold in pairs.



11-BH Bolt Package
Bolt package to be used #11 slotted track. Converts track into bolt mount installation. Packages sold in units of 10.



ROUND TRACK HANGERS AND TROLLEYS

www.westernproductsinc.com

ROUND TRACK HANGERS
AND TROLLEYS

DELRIN WHEEL TROLLEYS/HANGERS

Delrin Wheels with Bronze Bushings



103-T

Features pivot and swing action with a 1/2" x 4" bolt, and two nuts.



203-L

Adjustable, pivot and swing action with single strap apron. For doors 1-1/2" to 2-3/8" thickness. Includes six 5/16" carriage bolts per pair.



303-T

A 1/2" x 9" offset bolt adjusts easily and uses Western's original girt clip. Generous vertical adjustment accommodates a variety of door materials.

Delrin Wheels with Ball Bearings



RBP-103-T

Features pivot and swing action. With a 1/2" x 4" bolt, and two nuts. Delrin wheels with **ball bearings**.



RBP-203-L

Adjustable, pivot and swing action with single strap apron. For doors 1-1/2" to 2-3/8" thickness. Includes six 5/16" carriage bolts per pair. Delrin wheels with **ball bearings**.



RBP-303-T

A 1/2" x 9" offset bolt adjusts easily and uses Western's original girt clip. Generous vertical adjustment accommodates a variety of door materials. Delrin wheels with **ball bearings**.

STEEL WHEEL TROLLEYS/HANGERS

Steel Wheels with Ball Bearings



RB-103-T

Features pivot and swing action with a 1/2" x 4" bolt, and two nuts. Steel wheels with **ball bearings**.



RB-203-L

Adjustable, pivot and swing action with single strap apron. For doors 1-1/2" to 2-3/8" thickness. Includes four 5/16" carriage bolts per pair. Steel wheels with **ball bearings**.

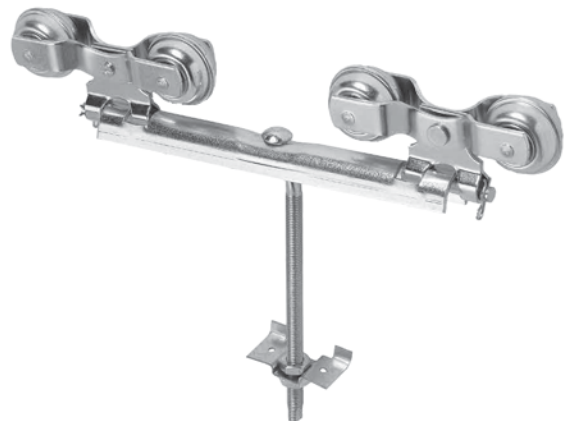


RB-303-T

A 1/2" x 9" offset bolt adjusts easily and uses Western's original girt clip. Generous vertical adjustment accommodates a variety of door materials. Steel wheels with **ball bearings**.

DTRB-303-T

Double truck trolley assembly – steel wheels with **ball bearings** and 9-1/2" bolts for use on doors weighing **500-600 lbs. and 16' and larger**. MUST use two pair per door. Sold two pair per carton.



DTRBP-303-T **NEW!**

Double truck trolley assembly – Delrin wheels with **ball bearings** and 9-1/2" bolts for use on doors weighing up to **1000 lbs. and 16' and larger**. MUST use two pair per door. Sold two pair per carton.



DELRIN WHEEL TROLLEYS/HANGERS

Delrin Wheels with Bronze Bushings



WW-103-T

Features pivot and swing action with a 1/2" x 4" bolt, and two nuts.



WW-203-L

Adjustable, pivot and swing action with single strap apron. For doors 1-1/2" to 2-3/8" thickness. Includes six 5/16" carriage bolts per pair.



WW-303-T

A 1/2" x 9" offset bolt adjusts easily and uses Western's original girt clip. Generous vertical adjustment accommodates a variety of door materials.

Delrin Wheels with Ball Bearings



WW-RBP-103-T

Features pivot and swing action. With a 1/2" x 4" bolt, and two nuts. Delrin wheels with **ball bearings**.



WW-RBP-203-L

Adjustable, pivot and swing action with single strap apron. For doors 1-1/2" to 2-3/8" thickness. Includes six 5/16" carriage bolts per pair. Delrin wheels with **ball bearings**.



WW-RBP-303-T

A 1/2" x 9" offset bolt adjusts easily and uses Western's original girt clip. Generous vertical adjustment accommodates a variety of door materials. Delrin wheels with **ball bearings**.

STEEL WHEEL TROLLEYS/HANGERS

Steel Wheels with Ball Bearings



RB-103-T

Features pivot and swing action with a 1/2" x 4" bolt, and two nuts. Steel wheels with **ball bearings**.



RB-203-L

Adjustable, pivot and swing action with single strap apron. For doors 1-1/2" to 2-3/8" thickness. Includes four 5/16" carriage bolts per pair. Steel wheels with **ball bearings**.

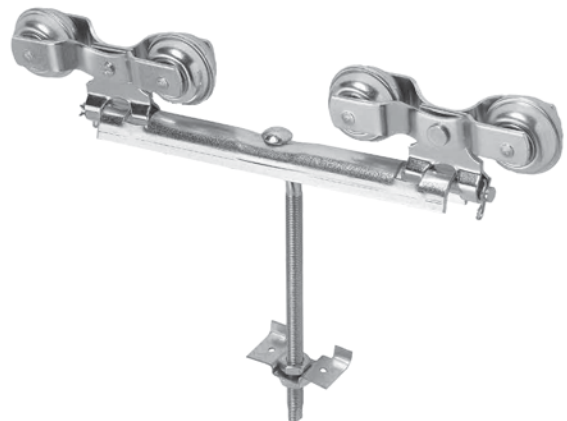


RB-303-T

A 1/2" x 9" offset bolt adjusts easily and uses Western's original girt clip. Generous vertical adjustment accommodates a variety of door materials. Steel wheels with **ball bearings**.

DTRB-303-T

Double truck trolley assembly – steel wheels with **ball bearings** and 9-1/2" bolts for use on doors weighing **500-600 lbs. and 16' and larger**. MUST use two pair per door. Sold two pair per carton.



WW-DTRBP-303-T **NEW!**

Double truck trolley assembly – Delrin wheels with **ball bearings** and 9-1/2" bolts for use on doors weighing up to **1000 lbs. and 16' and larger**. MUST use two pair per door. Sold two pair per carton.





POLYCARBONATE AND PVC LINER PANELS

www.westernproductsinc.com

CORRUGATED POLYCARBONATE

CoverLite® Corrugated Polycarbonate

If you are looking for a quality polycarbonate sheet which features the latest in product technology and which comes with the kind of personal service you need, call AmeriLux International, LLC! Our polycarbonate sheets are an effective alternative to traditional glazings in a wide variety of applications including:

- Sidelines
- Home Greenhouses
- Office Partitions
- Vertical Glazing
- Industrial Roofing
- Pool Enclosures
- Patio Covering
- Window Replacement
- Metal Buildings
- Skylights
- Domes
- Shelters
- Canopies
- Sheds
- Walkways
- Carpools
- Sunrooms
- Commercial Greenhouses

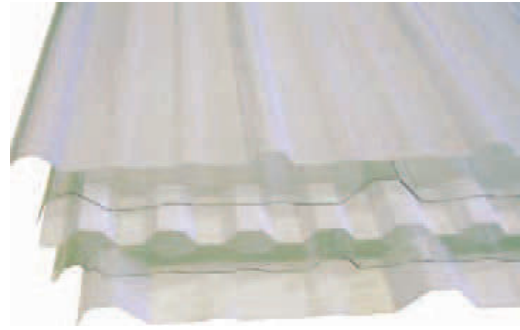
Several types of corrugated polycarbonate panels are offered by AmeriLux International,

Corrugated for Metal Buildings available in standard colors: clear, bronze and opal

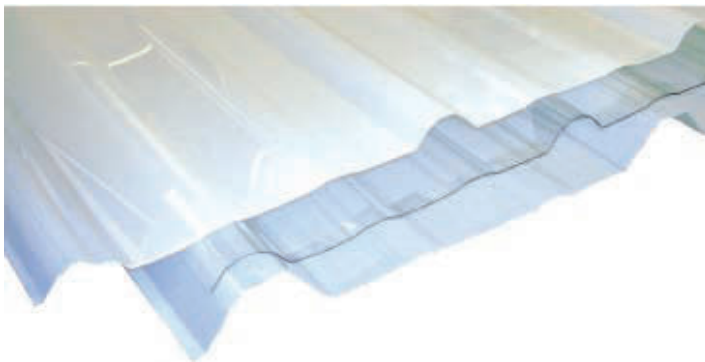
In addition to the qualities of our standard corrugated, CoverLite® corrugated sheet matches most standard metal roofing profiles. Making a simple skylight or sidelight is a snap with CoverLite® Corrugated for Metal Buildings!

Greca Corrugated Polycarbonate available in standard colors: clear, bronze, opal, softlite

Ideal for greenhouses and other applications where excellent light transmission is needed in a lightweight sheet. Extensive research and development ensure all corrugated sheets have a high resistance to the harmful effects of weather: both in the impact strength to resist hail damage and in UV protection.

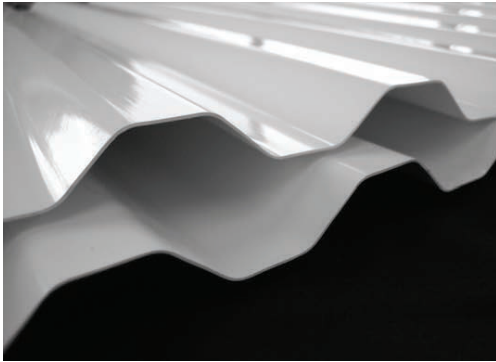


NAME	OVERALL WIDTH	OVERALL LENGTH	NET COVERAGE	PITCH	DEPTH	THICKNESS	LT
MR 9"	38"	UP TO 39'	36"	9"	.75"	.032"	Clear: 90% Bronze: 31% Opal: 66%
MR 9"FLAT	38"	UP TO 39'	36"	9"	.625"	.032"	Clear: 90% Bronze: 31% Opal: 66%
MR 12"	38"	UP TO 39'	36"	12"	1.25"	.032"	Clear: 90% Bronze: 31% Opal: 66%
GRECA	26"	8' & 12'	24"	3"	.625"	.032"	Clear: 90% Smoke: 29%
GRECA	50"	UP TO 48'	48" & 72"	3"	.625"	.033"	Clear: 90% Opal: 52% Bronze: 25% Softlite: 85%
RIDGE CAP	24"	10'6"	-	-	-	.047"	Clear: 90% Opal: 43%



CoverLite® Metal Roofing

Property	Test Method	Average Index
Specific Gravity	ASTM D792	1.20 +/- 5%
Tensile Strength	ASTM D638	9.2 lbs/in ²
Elongation	ASTM D638	7
Compressive Strength	ASTM D695	830 kgf/cm ²
Modulus of Elasticity	ASTM D638	345000PSI +/- 10%
Flexural Strength	ASTM D790	950 kgf/cm ²
Yellowing Index (only UV-Grade apply)	ASTM D1925	Below 3.0
Light Transmittance	Wave Length 500nm (UV/VIS)	90% (Clear)
UV-Ray Penetrability (only UV-Grade apply)	Wave Length 300nm (UV/VIS) (continuously exposed to sunlight for 3,000 hours)	2.4%
Impact Strength	ASTM 3029	Unbreakable (Temp. range -40° - 250°F)
Inflammability	UL 94V2 (contact with flame for 10 seconds and move away)	Self-Extinguishing
Deflection Temperature	ASTM D648, 18.6 kgf/cm ²	135°C (The highest temp. is about 120°C in continuous uses)
Brittle Temperature	ASTM D764	-135°C (The lowest temp. is about -30°C in continuous uses)
Linear Thermal Expansion Coefficient	-----	Pertains to smaller coefficient of synthetic resin



Versatile, Strong and Safe!

Agricultural

- Hog Barns
- Dairy Farms
- Poultry Farms
- Fish Farms
- Fertilizer Storage

Industrial

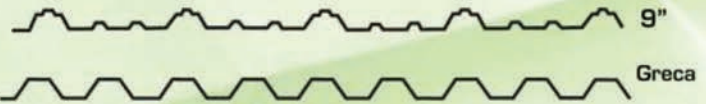
- Factories
- Food Processing
- Meat Packing
- Salt Storage

Commercial

- Car / Truck Washes
- Marinas
- Loafing Sheds
- Workshops

Corrugated PVC Liner Panels Are a Great Economical Alternative to Metal!

Profile	Agrilite Greca	Agrilite 9"
Panel Widths	38"	38"
Lengths	Standard Lengths In Both Profiles 8'2", 10'2", 12'4", 16'4", 20'4" Custom sizes available by special order.	
Thickness	0.032"	0.039"
Color	Brite White	Brite White
Warranty	Agrilite™ Panels are Backed by a 10-year Limited Warranty	



Net 36" Coverage

Lightweight and Easy to Install - No Special Tools Needed!

Profiles

Our PVC profiles are available to make your installation effortless and improve the look of the finished interior walls and ceilings.

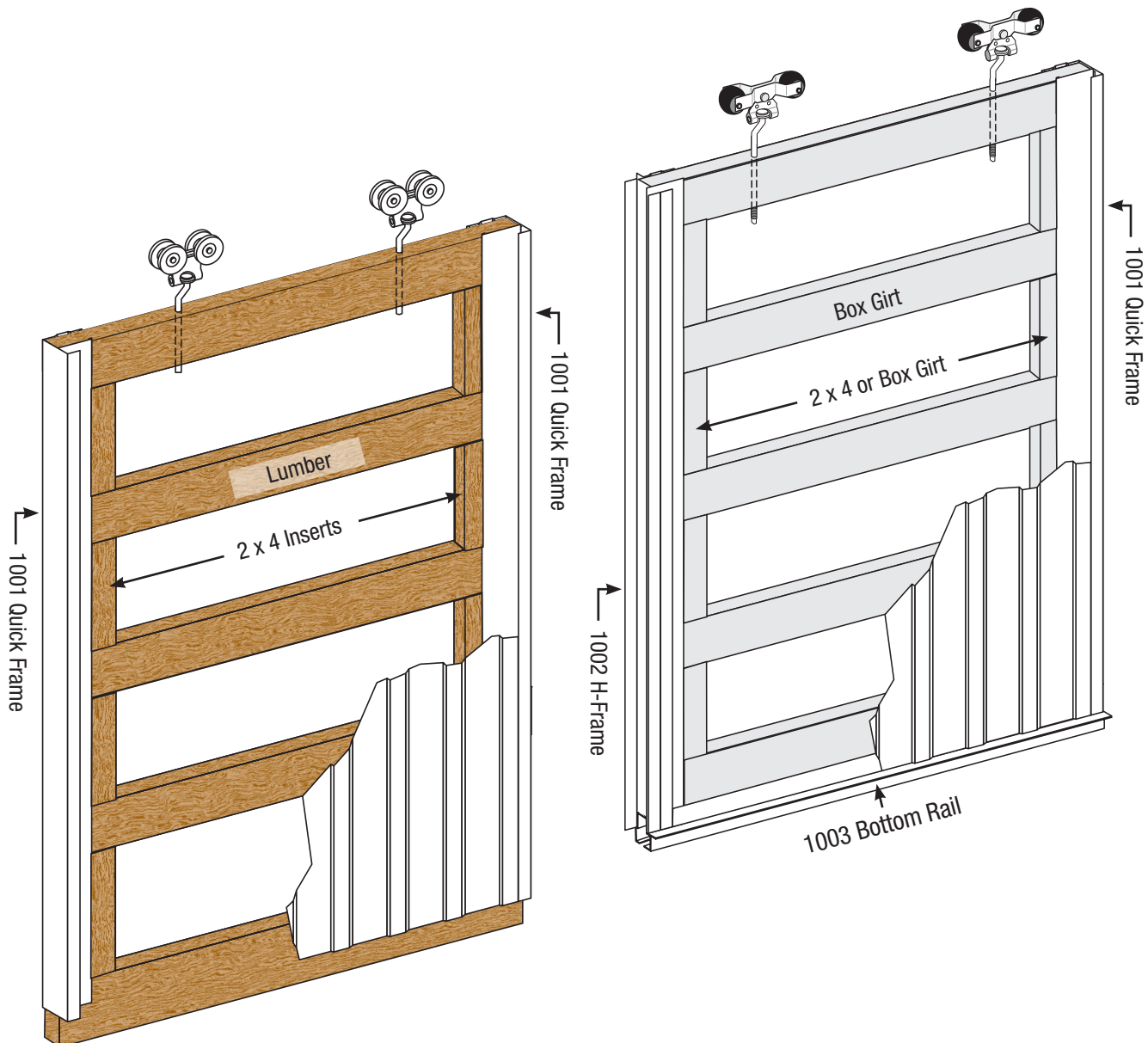




SLIDING DOOR FRAMES

www.westernproductsinc.com

1 1/2" SLIDING DOOR FRAMES



SLIDING DOOR FRAMES

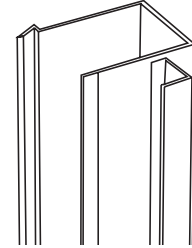
White Steel or White Aluminum Quick Frames can be assembled with standard 2 x 4 lumber or galvanized Steel Box Girts as horizontals. **Western Products** recommends spacing these horizontals approximately 24" to 28" on center. Wood or steel inserts can be placed inside the vertical channel between each horizontal. Inserts should be permanently attached with screws, becoming part of the frame. This is suggested to help prevent damage to the doors in windy conditions.

1-1/2" SLIDING DOOR FRAMES

White Aluminum

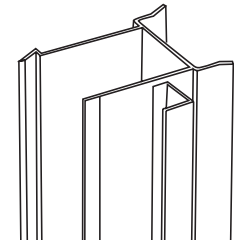
1001 White Aluminum Quick Frame

Is lumber fit for standard 2 x 4 or 2 x 6 and provides smooth, safe sides for door openings. Packaged in 10 piece bundles per order, available in 8, 10, 12, 14, 16', 18' and 20' lengths.



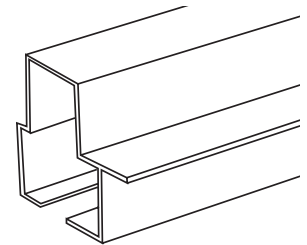
1002 White Aluminum H-Frame

Designed for use with bi-parting doors, provides concealed mating between units covering both door edges. Packaged in 10 piece bundles per order, available in 8, 10, 12, 14, 16', 18' and 20' lengths.



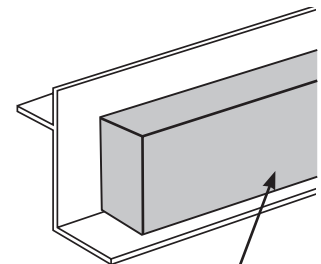
1003 White Aluminum Bottom Rail

Attaches to bottom of door and accepts the #64 Rail Guide to firmly anchor and guide door along building during operation. Order for doors 1-1/2" thick. Available in 8, 10, 12, 14, 16, 18, and 20' lengths.



1005 White Aluminum Bottom Rail

Mounts on face of **wood bottom** rail and provides a smooth surface for a stay roller. Available in 8, 10, 12, 14, 16, 18, and 20' lengths.

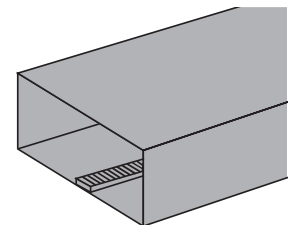


2 x 4

Box Girt/Horizontal

2004 Galvanized Steel Girt

Made from 20 gauge galvanized steel (1-1/2" x 3-1/2" lock seamtube). Can be used in place of wood horizontal girts to eliminate warping, bowing, and cracking of door panels. Weight is 1.3 lbs./ft. Available in 6' - 24' lengths.



BOTTOM GUIDE SYSTEMS AND ACCESSORIES

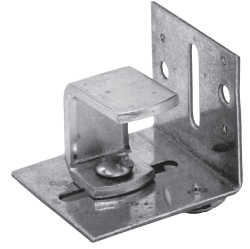
#60 Guide Rail Bracket

For use with #64 Guide Rail. Slotted hole in each leg allows both lateral and vertical adjustments. Bolts and nuts included.



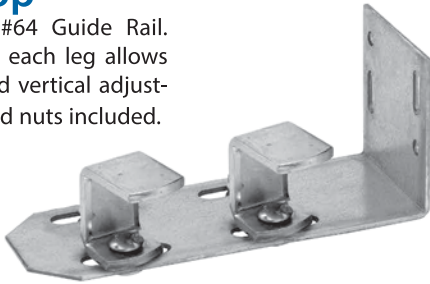
#68 Single Door Stop

For use with #64 Guide Rail System. Stops door and prevents from disengaging with guide rail.



#68 DDS Double Door Stop

For use with #64 Guide Rail. Slotted hole in each leg allows both lateral and vertical adjustments. Bolts and nuts included.



#60 DGRB Double Guide Rail Bracket

For use with #64 Guide Rail. Slotted hole in each leg allows both lateral and vertical adjustments. Bolts and nuts included.



#64 Guide Rail

Fabricated from 16 gauge galvanized steel and mounts with #60 brackets. Engages the bottom door guides to hold the door in place and prevent wind damage. Available in 4', 6', 8' and 10' lengths.



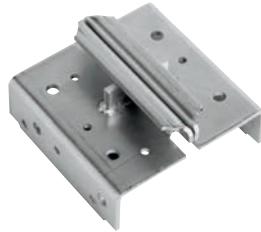
BOTTOM GUIDE SYSTEMS AND ACCESSORIES

Optional Hardware

#520 Center Guide/Stop

Installs on 6 x 6 post or in concrete, in the center of split doors or a large single door. For use in pairs.

(Fasteners for mounting not included)



#790 Center Door Guide

Adjustable for single sliding doors 1-1/2' to 3-1/4' thick. Install as shown with screws and lead anchors after final adjustments have been made to level and plumb the door. **(Fasteners included)**

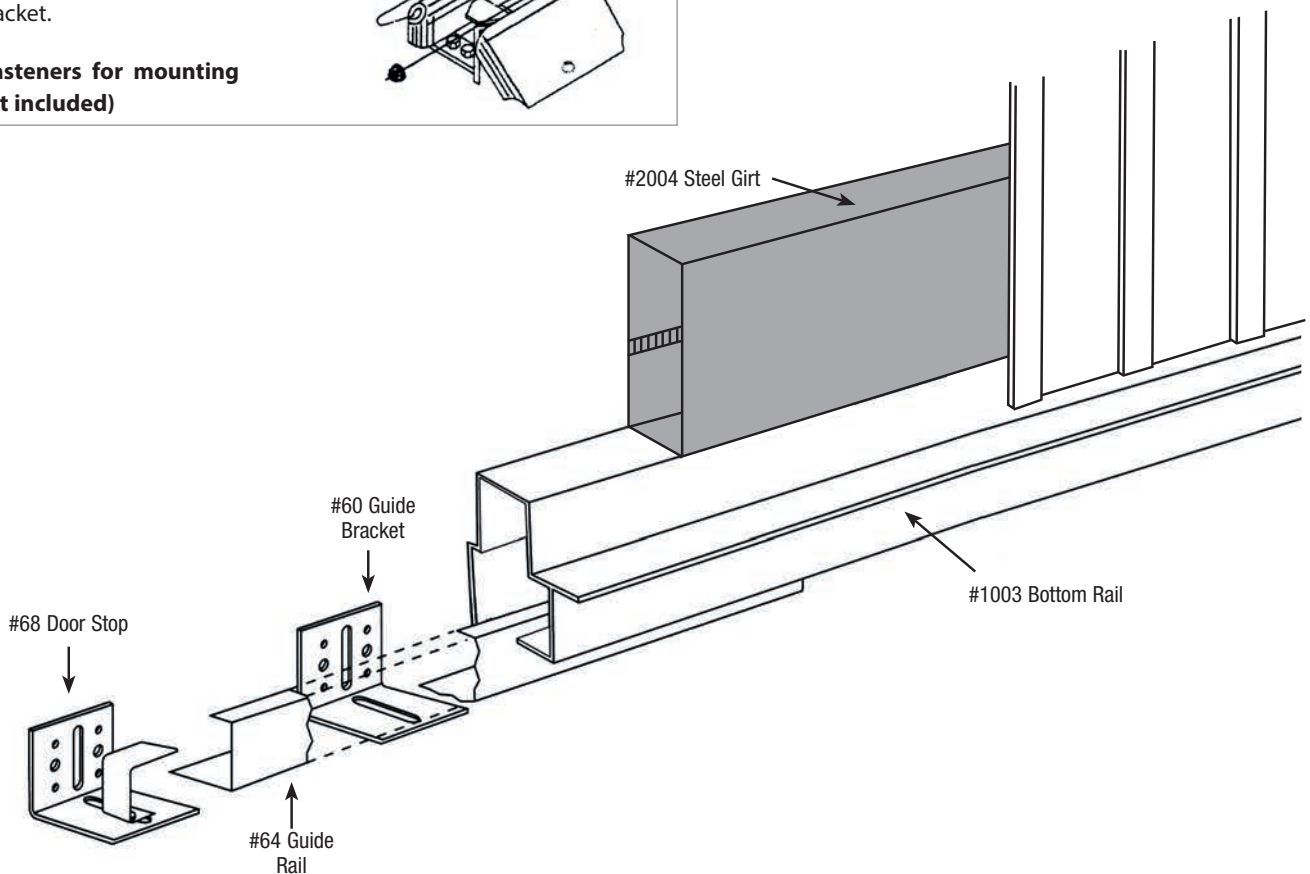
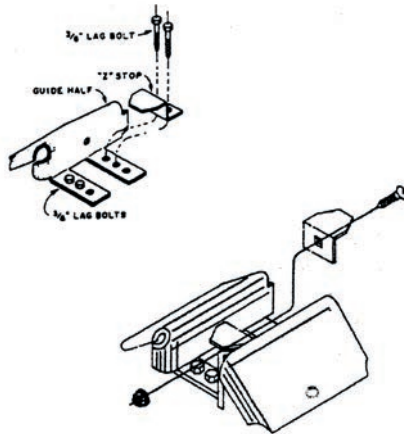


#320 Center Guide/Stop

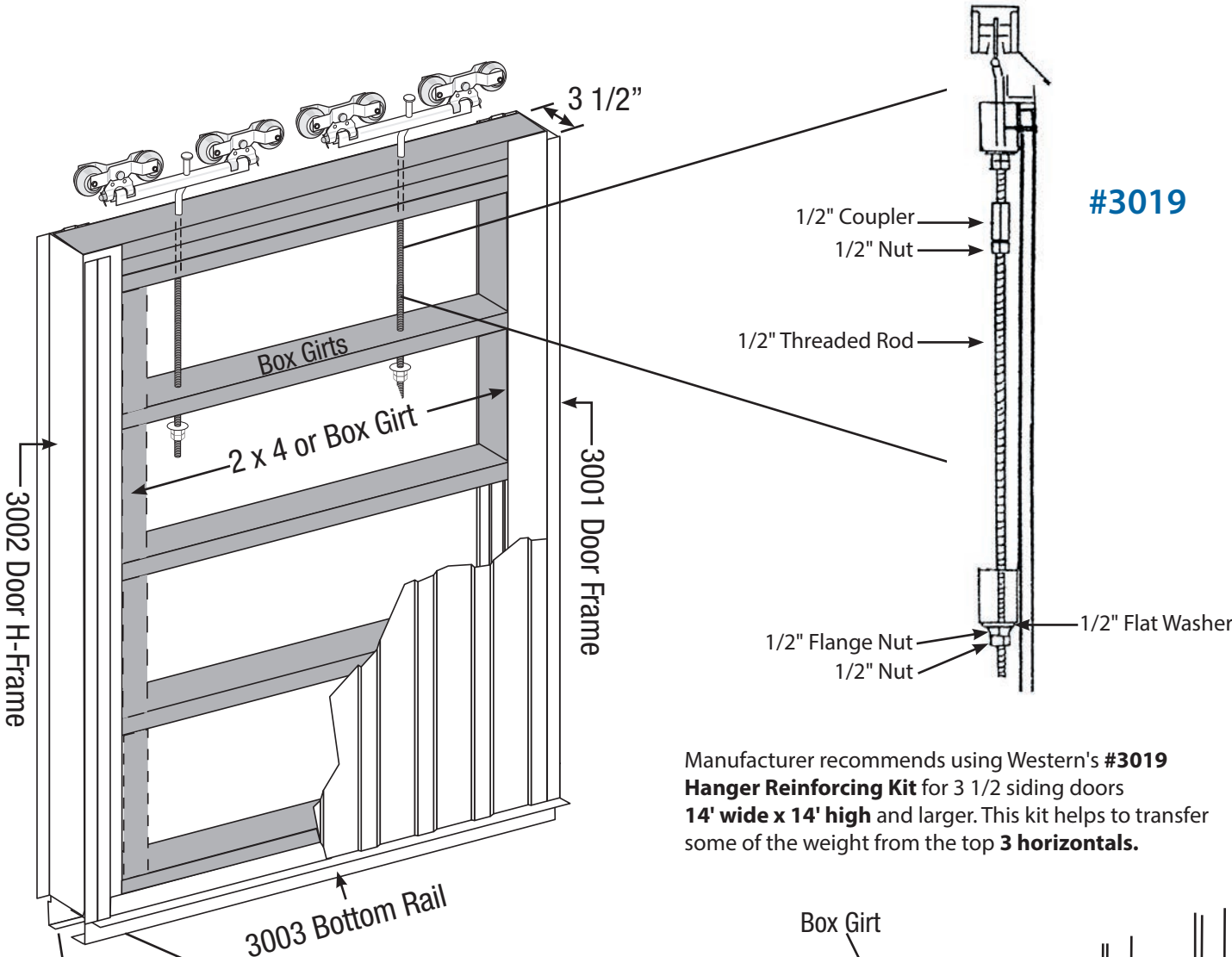
Designed for single slide or bi-parting metal or wood doors. Mounts on concrete floor with lag screws and shields or on a 6" x 6" post.

*To turn center guide into a door stop: install "L" bracket along with the "Z" bracket.

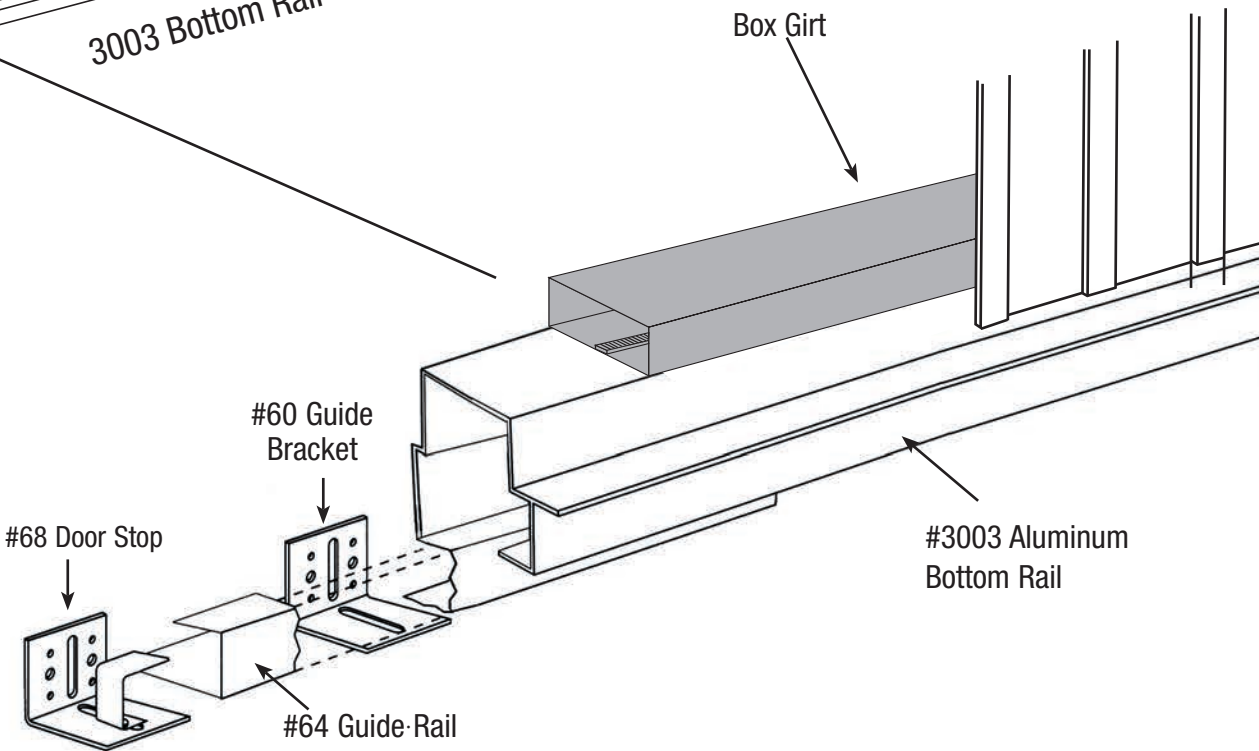
(Fasteners for mounting not included)



3-1/2" SLIDING DOOR FRAME FOR "BIG DOORS"



Manufacturer recommends using Western's **#3019 Hanger Reinforcing Kit** for 3 1/2 sliding doors **14' wide x 14' high** and larger. This kit helps to transfer some of the weight from the top **3 horizontals**.



3-1/2" SLIDING DOOR FRAMES

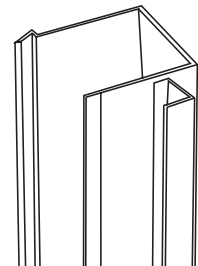
White Aluminum

3-1/2" SLIDING DOOR FRAMES WITH STEEL BOX GIRTS

White Aluminum Door Frames can be assembled with (20 gauge) galvanized Steel Box Girts as horizontals. Western recommends spacing these horizontals approximately 24" on center. Steel inserts should be placed inside the vertical channel between each horizontal. Inserts should be permanently attached with screws, becoming part of the frame. This is suggested to help prevent damage to the doors in windy conditions. **Manufacturer recommends using Western's #3019 Hanger Reinforcing Kit for 3 1/2 sliding doors 14' wide x 14' high and larger.**

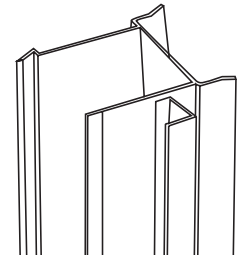
3001 3-1/2" White Aluminum Door Frame

Is lumber fit (turned to the 3-1/2" side) for standard 2 x 4 wood or our steel box girts. Packaged in pieces, and bundled per order. Available in 8'-20' lengths.



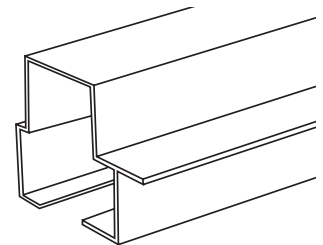
3002 3-1/2" White Aluminum Door H-Frame

Designed for use with bi-parting doors, provides concealed mating between units, covering both door edges. Packaged in pieces, and bundled per order. Available in 8'-20' lengths.



3003 3-1/2" White Aluminum Bottom Rail

Attaches to bottom of door frame and accepts the #64 Guide Rail to firmly anchor and guide the door along the building during operation. Packaged in pieces, and bundled per order. Available in 8'-20' lengths.

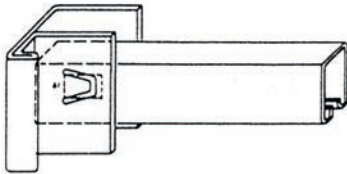


1001-WV White Vertical with Tabs

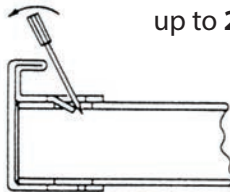
THIS ALL STEEL WHITE DOOR FRAME IS MANUFACTURED FROM 16 GAUGE GALVANIZED MATERIAL AND POWDER COATED WHITE

BUILT-IN FASTENERS ARE PRE-PUNCHED INTO THE VERTICAL MEMBER. JUST BEND THE KEYS DOWN INTO MATCHING HOLES PROVIDED IN THE LATERAL, DEVELOPING A SQUARE, TIGHT, PERMANENT STEEL DOOR FRAME.

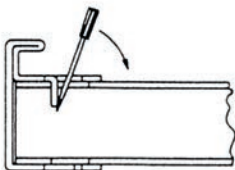
Call Western for pricing and available sizes from **8' wide x 8' high** up to **20' wide x 16' high**. Bulk packed per order.



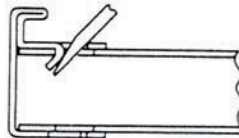
1. Align key over slots in cross members.



2. Insert screwdriver blade to start key.



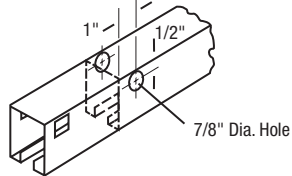
3. Bend key halfway, then square up frame.



4. Lock key permanently

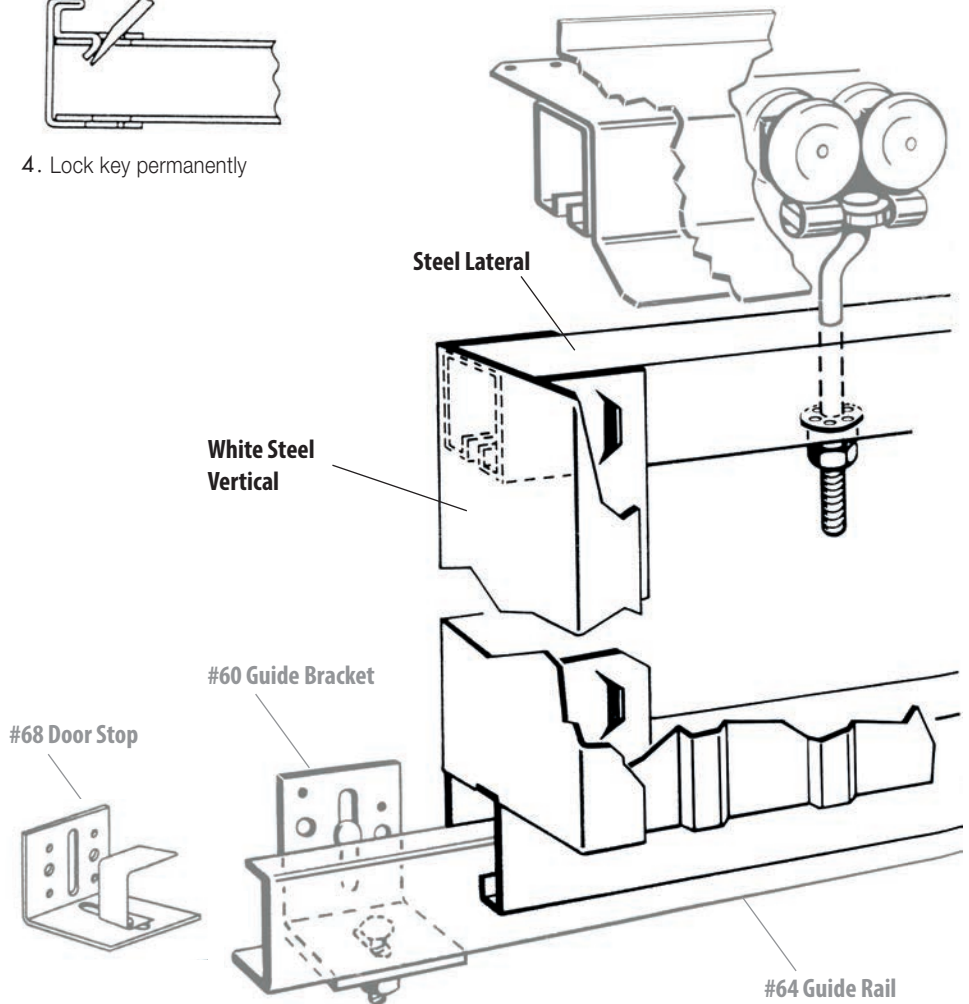
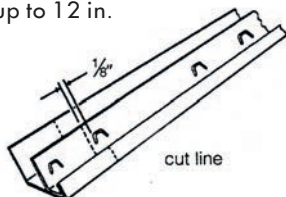
To Shorten Door Lateral

Cut off desired amount and replace the square hole lost in the cut-off with 7/8 in. Diameter round hole.



To Shorten Door Vertical

Extra keys
Allow shortening in 1 1/2". Increments up to 12 in.



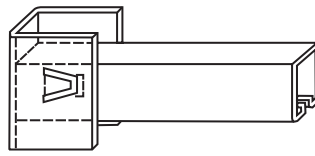
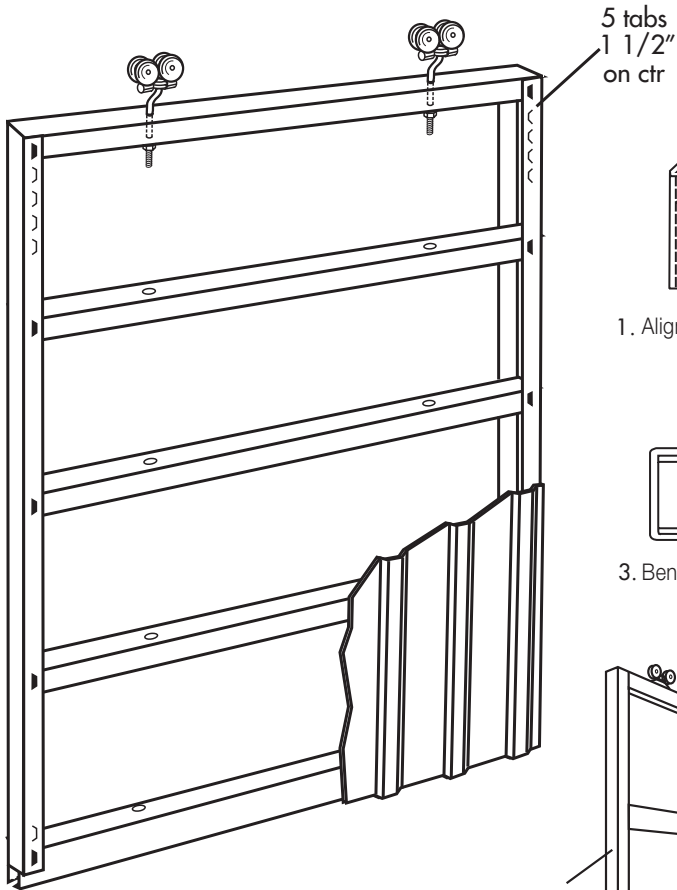
NOTE: FOUR KEYS (AT TOP) ARE PROVIDED IN VERTICALS TO BE USED IF A SHORTER HEIGHT IS REQUESTED. THIS WOULD BE THE TOP OF THE DOOR. FOUR KEYS ARE PROVIDED IN THE VERTICAL SO THAT BOTTOM LATERAL MAY BE USED AS A GUIDE IF DESIRED OR SIMPLY FLUSH MOUNTED.

EASY LOCK DOOR SYSTEM

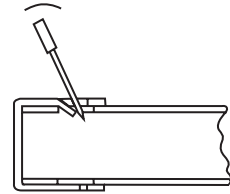
HEAVY DUTY STEEL FRAME IS MANUFACTURED FROM 14 GAUGE AND 16 GAUGE GALVANIZED MATERIAL

BUILT-IN FASTENERS ARE PRE-PUNCHED INTO THE VERTICAL MEMBER. JUST BEND THE KEYS DOWN INTO MATCHING HOLES PROVIDED IN THE LATERAL, DEVELOPING A SQUARE, TIGHT, PERMANENT STEEL DOOR FRAME.

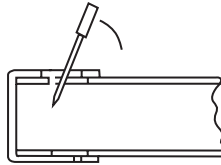
Call Western for pricing and available sizes from **8' wide x 8' high** up to **20' wide x 16' high**. Bulk packed per order.



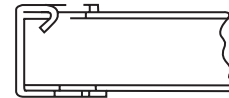
1. Align key over slots in cross members.



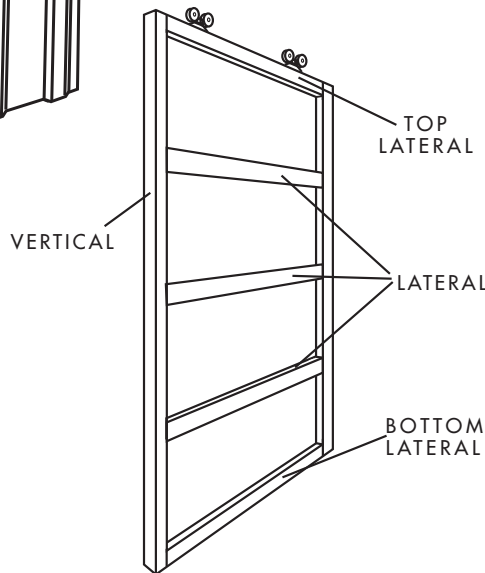
2. Insert screwdriver blade to start key.



3. Bend key halfway, then square up frame.

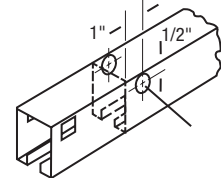


4. Lock key permanently



To Shorten Door Lateral

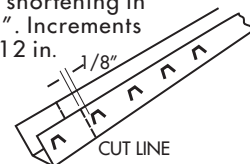
Cut off desired amount and replace the square hole lost in the cut-off with 7/8 in. Diameter round hole.



7/8" Dia. Hole

To Shorten Door Vertical

Extra keys
Allow shortening in 1 1/2". Increments up to 12 in.



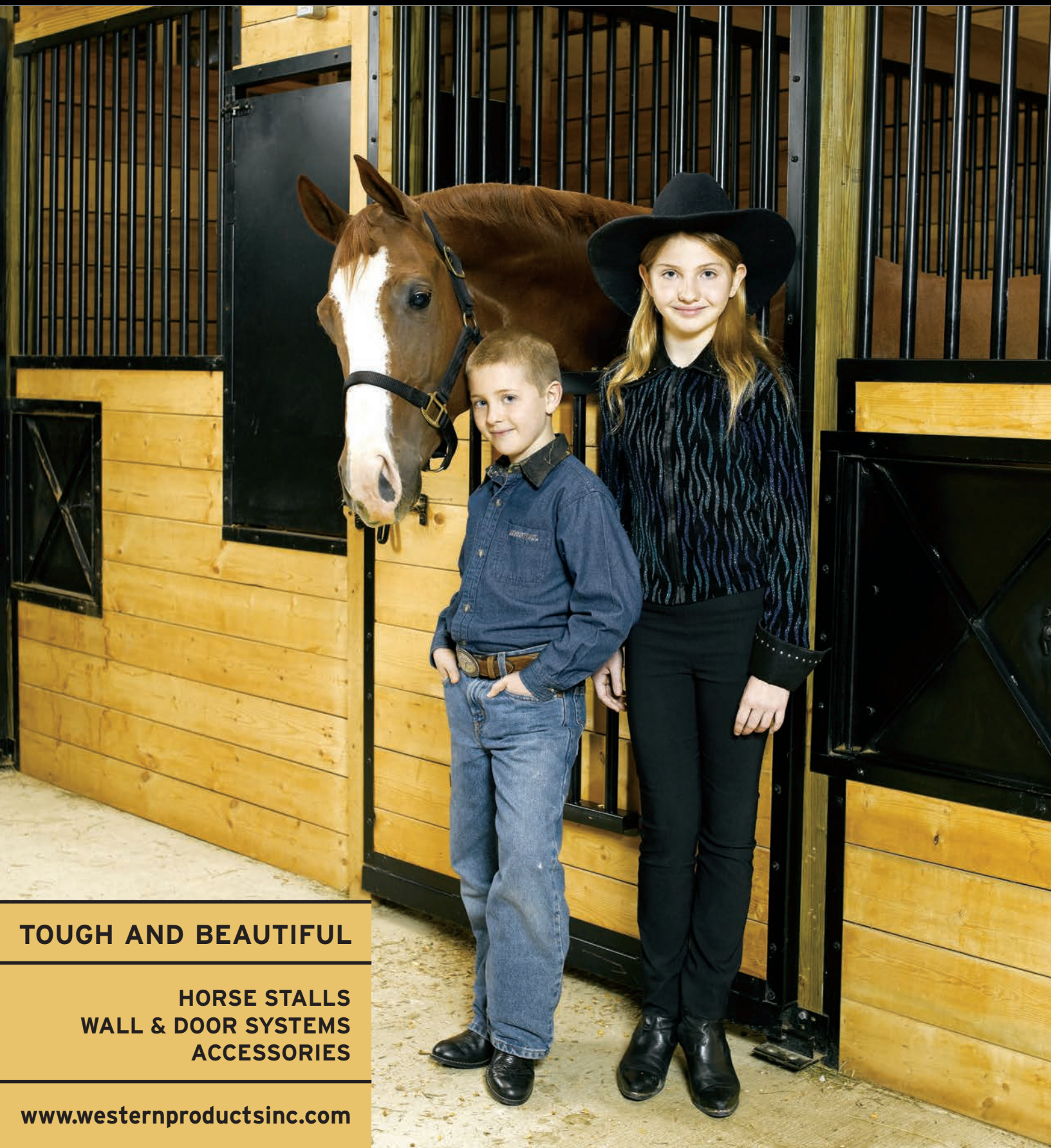
NOTE: FIVE KEYS (AT TOP) ARE PROVIDED IN VERTICALS TO BE USED IF A SHORTER HEIGHT IS REQUESTED. THIS WOULD BE THE TOP OF THE DOOR. TWO KEYS ARE PROVIDED IN THE VERTICAL SO THAT BOTTOM LATERAL MAY BE USED AS A GUIDE IF DESIRED OR SIMPLY FLUSH MOUNTED.



HORSE STALLS

HORSE STALLS

www.westernproductsinc.com



TOUGH AND BEAUTIFUL

**HORSE STALLS
WALL & DOOR SYSTEMS
ACCESSORIES**

www.westernproductsinc.com



Western Products Horse Stalls

are not only attractive, but tough as nails with maximum ease of assembly. The Western "Flexi-Stall" is engineered to provide the ultimate in design, flexibility and safety for your horses.

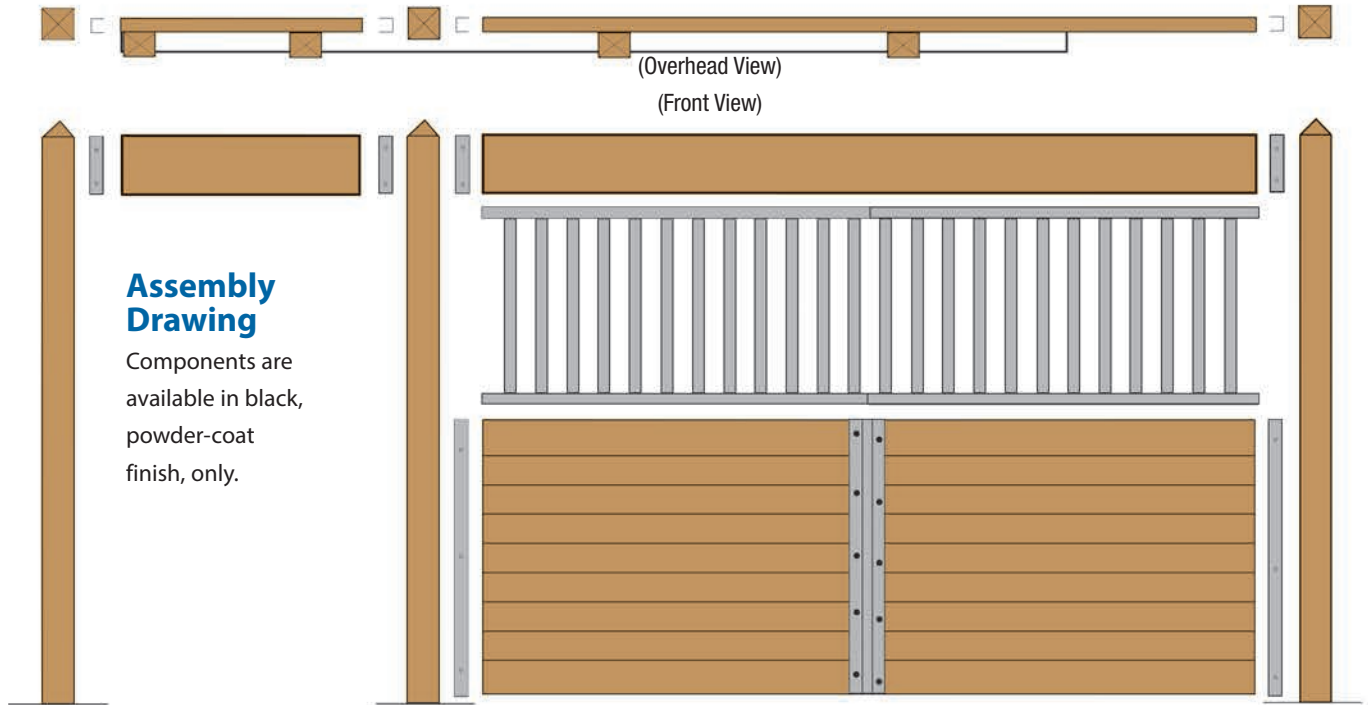
The versatility of our "Flexi-Stall" allows you to mix and match components to customize your stall to fit your specific needs. Safety has also been engineered into every stall, with no exposed edges for horses to chew, no hardware or sharp edges to rub against and no protruding objects to step on.

Western then finishes each component with an attractive black powder coating to accent the beauty of your stalls.





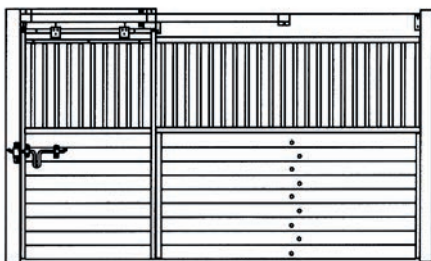
Door and Wall Systems



Assembly Drawing

Components are available in black, powder-coat finish, only.

WESTERN'S Stall Kits may be used in a wide range of fabricating techniques. This is just one example of how to build a front wall. (Measurements must be calculated in the field.)



Front Wall System (Door Not Included)

10' Front (80010)

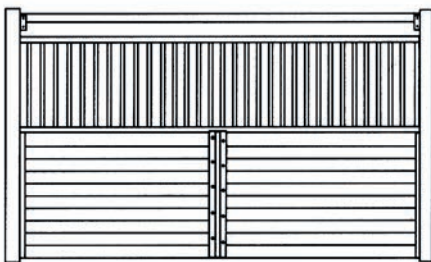
12' Front (80012)

Door dimensions are 48" wide, 86" high. Overhead clearance must be at least 94 1/2" to accommodate the door, trolley, and track. System comes complete with the following:

- | | |
|--|---------------------------|
| 2 Grillwork Sections | 2 End Channels (80045) |
| 10' front includes 1-24" (80240) & 1-48" (80480) | 4 Header Channels (80006) |
| 12' front includes 2-48" (80480) | 1 Wall Brace (84545) |

(Additional wood materials required:)

- | | |
|------------------------------|------------------------------|
| 10' Front Wall | 12' Front Wall |
| 8 2" x 6" x 6' | 9 2" x 6" x 8' |
| 1 2" x 12" x 10' track board | 1 2" x 12" x 12' track board |



Side Wall System

10' (81048)

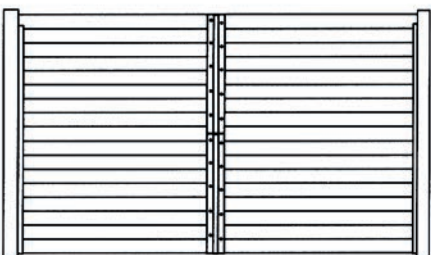
12' (81248)

System comes complete with the following:

- | | |
|-------------------------------|---------------------------|
| Grillwork Sections | 12' front includes |
| 10' front wall includes | 3-48" (80480) |
| 2-48" (80480) & 1-24" (80240) | 2 End Channels (80045) |
| | 2 Header Channels (80006) |
| | 1 Wall Brace (84545) |

(Additional wood materials required:)

- | |
|--------------------------|
| 11 2" x 6" x 10' for 10' |
| 11 2" x 6" x 12' for 12' |



Partition or Rear Wall System (80445)

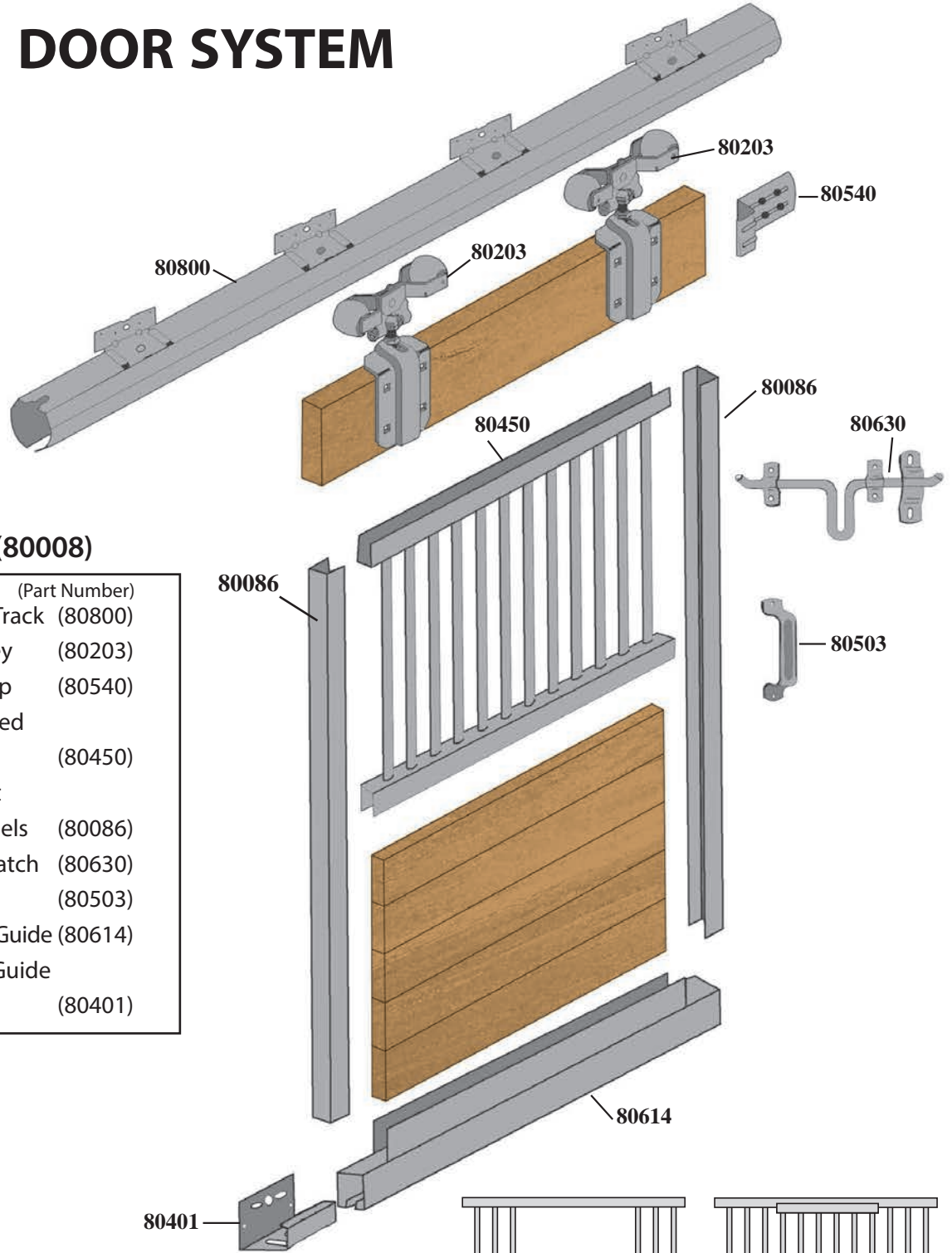
System comes complete with the following:

- | | |
|------------------------|-----------------------|
| 4 End Channels (80045) | 2 Wall Braces (84545) |
|------------------------|-----------------------|

(Additional wood materials required:)

- 17 2" x 6" equal to desired wall length.

SLIDING DOOR SYSTEM

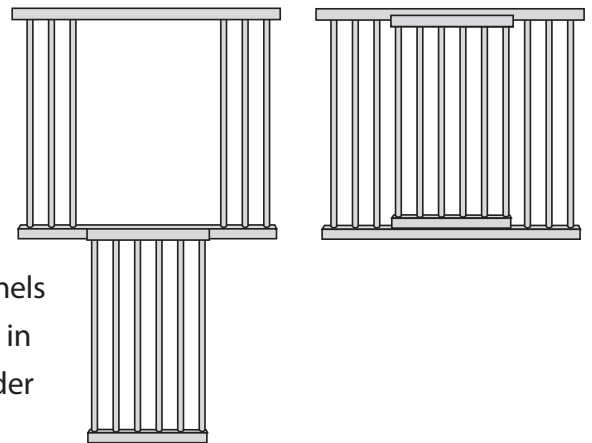


Door Kit (80008)

	(Part Number)
1	8' #3B Round Track (80800)
1	pr. 203-L Trolley (80203)
1	#540 Door Stop (80540)
1	45" x 36" Welded Door Grille (80450)
2	86" Lumber Fit Vertical Channels (80086)
1	#630 Sliding Latch (80630)
1	50-3 Door Pull (80503)
1	4' #61 Bottom Guide (80614)
1	#401 Bottom Guide Retainer (80401)

Western's Drop-Down Door Grille (80350)

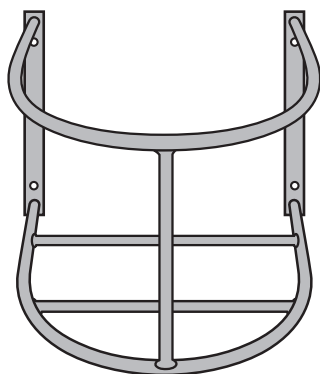
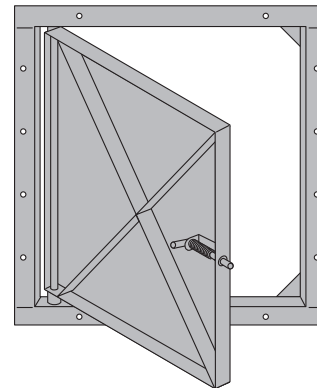
Features 1" round 14 ga. tubing welded 3" o/c., in 14 ga. channels that are lumber fit for 2 x 6 or 2 x 8 standard lumber. Available in a 36" x 45" section, with a 23" x 35" opening and is black powder coated.



HORSE STALL KIT, ACCESSORIES

SwingOut Utility Door (82022)

Made of heavy duty 12 gauge steel mounted on a sturdy angle iron frame. Accommodates a wide variety of feeders, buckets and bucket holders. Can be installed to swing out from left or right by simply inverting the frame. Latch is designed so that the door cannot be opened from the inside. Outside dimensions are 24-3/4" high x 22-1/2" wide. **(Bucket not included.)**



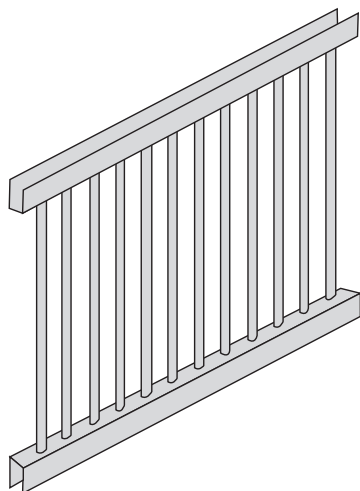
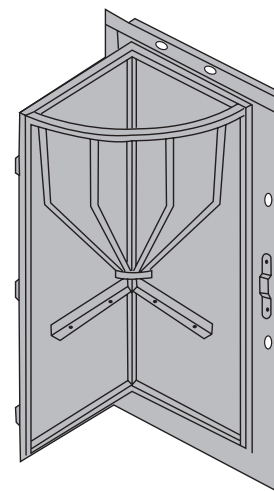
Bucket Holder (82032)

Constructed of 1/2" round steel bar stock welded to 1" wide 11 gauge mounting plates with four holes for rigid mounting. Inside dimensions are 12-1/2" wide x 12-1/2" deep x 11" high.

(Fasteners not included.)

SwingOut Hay/Grain Feeder (82448)

Our best feeder, this front wall mounted feeder is fully reversible by switching hinge pin for left or right side mounting. Hay rack provides ample room for a generous flake. Welded angle supports for mounting plastic corner bucket. **(Bucket not included.)** Powder coated black with a #630 sliding latch included.



Front Wall Grille

24" (80240)

48" (80480)

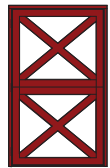
Features 1" round 14 ga. tubing welded 3" o/c., and 14 ga. channel-lumber fit for 2 x 6 or 2 x 8 standard lumber. Black powder coating. Available in 36" x 48" and 36" x 24" sections.

COMPLETE TRIM PACKAGE OPTIONS



Dutch Door Features

- Unit dimensions: 50 1/2" x 89 1/4"
- Economy with durability
- Ease of installation with pre-set nailing flange
- Low maintenance (no painting)
- Door is pre-hung in 16 gauge pre-painted frame
- No job site assembly required
- Stainless Ball Bearing Hinges



CROSSBUCK



CLASSIC CARRIAGE

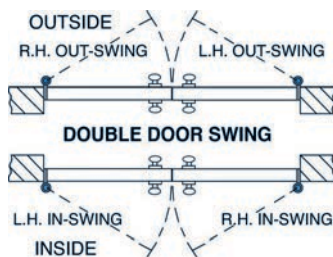


SMOOTH ARCH

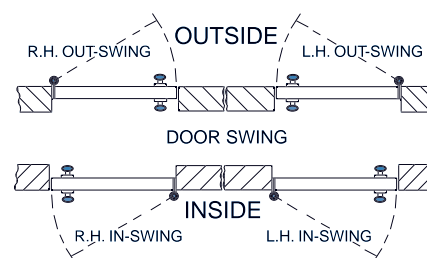
STEEL PRE-HUNG DUTCH DOOR

PART #	SIZE	DESCRIPTION
DD-4070	4' X 7'	STEEL DUTCH DOOR W/ WHITE CROSS BUCK
DDS-4070	4' X 7'	STEEL DUTCH DOOR SPECIAL TRIM COLOR - CROSS BUCK
DD-4070CC	4' X 7'	STEEL DUTCH DOOR - CLASSIC CARRIAGE
DD-4080SAT	4' X 8'	STEEL DUTCH DOOR - SMOOTH ARCH TOP
DD-4040	4' X 4'	STEEL BALE DOOR W/ WHITE CROSS BUCK
DDS-4040	4' X 4'	STEEL BALE DOOR SPECIAL TRIM COLOR - CROSS BUCK
DD-4040CC	4' X 4'	STEEL BALE DOOR - CLASSIC CARRIAGE
DD-4040SAT	4' X 4'	STEEL BALE DOOR - SMOOTH ARCH TOP

WHEN ORDERING A DOUBLE DOOR YOU MUST SPECIFY THE ACTIVE DOOR PANEL



WHEN ORDERING WINDOWS FOR DOORS YOU MUST SPECIFY DOOR SWING



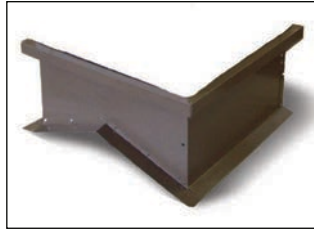
CUPOLAS



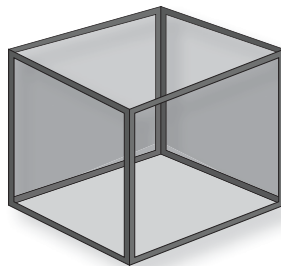
· WITH "GALLOPING HORSE" WEATHERVANE

- 24 GA PREPAINTED STEEL LOUVERED SIDES
- STAINLESS STEEL EDGE RIBS

NOW AVAILABLE WITH WINDOWS



1/12-12/12 OPTIONAL PITCH
SPECIAL ORDER SHIPPED
COMPLETELY ASSEMBLED



Protect your barn from pests without sacrificing adequate ventilation.

CUPOLAS

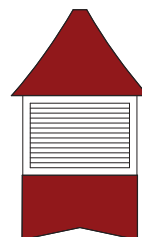
PART #	DESCRIPTION
FL-24	24" 6PC FLASH
BS-24	24" CUPOLA W/BASE
WDW-24	24" W/WINDOW
BSWDW-24	24" W/BASE + WINDOW
CC-24	24" CLASSIC CARRIAGE TRIM
SAT-24	24" SMOOTH ARCH TOP TRIM
FL-36	36" 6PC FLASH
BS-36	36" W/BASE
WDW-36	36" W/WINDOW
BSWDW-36	36" W/BASE + WINDOW
CC-36	36" CLASSIC CARRIAGE TRIM
SAT-36	36" SMOOTH ARCH TOP TRIM
FL-48	48" 6PC FLASH
BS-48	48" W/BASE
WDW-48	48" W/WINDOW
BSWDW-48	48" W/BASE + WINDOW
CC-48	48" CLASSIC CARRIAGE TRIM
SAT-48	48" SMOOTH ARCH TOP TRIM

SCREEN KIT

PART #	DESCRIPTION
SC-24	SCREEN ASSEMBLED 24"
SC-36	SCREEN ASSEMBLED 36"
SC-48	SCREEN ASSEMBLED 48"

PITCH PROGRAM

UG-24	24" PITCH UPGRADE > 5:12
UG-36	36" PITCH UPGRADE > 5:12
UG-48	48" PITHC UPGRADE > 5:12



CLASSIC CARRIAGE

SMOOTH ARCH TOP

WEATHERVANES

**ALL ARE PAINTED BLACK, CAST ALUMINUM. THE WEATHERVANE IS SUPPLIED WITH A FLAT MOUNT BASE TO ATTACH TO WESTERN PRODUCTS CUPOLA.
MANY STYLES AVAILABLE FOR QUICK SHIP**

WEATHERVANES



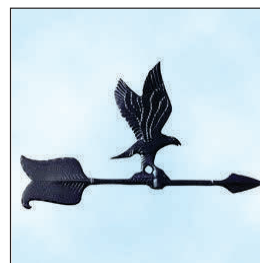
Galloping Horse
HS-30 30" HORSE
HS-24 24" HORSE



Rooster
RS-30 30" ROOSTER
RS-24 24" ROOSTER



Black Lab
BL-30 30" DOG
BL-24 24" DOG



Eagle
EG-30 30" EAGLE
EG-24 24" EAGLE



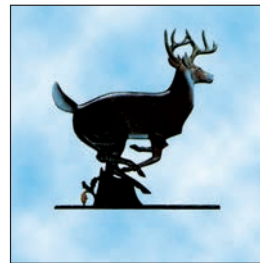
Duck
DK-30 30" DUCK
DK-24 24" DUCK



Country Doctor
CD-30 30" COUNTRY DOCTOR
CD-24 24" COUNTRY DOCTOR



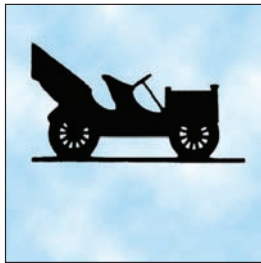
Cow
CW-30 30" COW
CW-24 24" COW



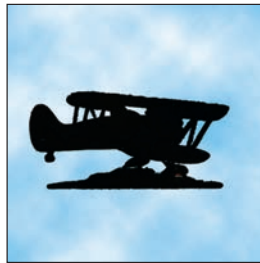
Buck
BK-30
30" [ONLY] BUCK



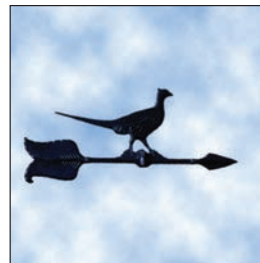
Tractor
TR-30
30" [ONLY] TRACTOR



Antique Auto
AA-30
30" [ONLY] ANTIQUE AUTO



Airplane
AP-30
30" [ONLY] AIRPLANE



Pheasant
PH-24
24" [ONLY] PHEASANT



WALK DOORS

WALK DOORS

www.westernproductsinc.com

THE CLASSIC DOOR



THE CLASSIC DOOR SERIES

ADDITIONAL FEATURES

- Full 1-3/4" thick panel w/26 Ga. skins
- Exclusive inner lock design puts frame on inside of door for quality commercial appearance
- All steel frame - all steel skin, pre-hung
- Frame has common header/threshold and meets handicap specifications
- Nylon lockset insert eliminates lockset loosening - no wood block to deteriorate or absorb moisture
- Pre-finished steel frame with Dual Contact weather strip
- Fixed-pin hinges
- 2 3/4" backset standard

OPTIONS AVAILABLE FOR ALL AS DOORS

- Windows (maximum size 20" x 24")
- Dead bolt lockset
- Door closer
- Available in white, clay, brown, and bronze
- Cross buck design on both sides
- Must specify swing when ordering

THE CLASSIC DOUBLE DOOR



THE CLASSIC DOOR



THE CLASSIC TRIM DOOR

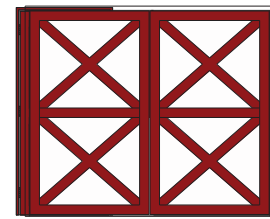


THE CLASSIC W/CROSS BUCK

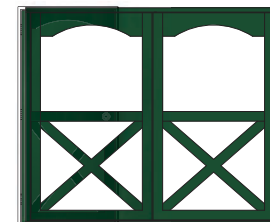
THE CLASSIC DOOR

CLASSIC DOORS

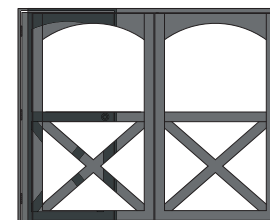
PART #	SIZE	DESCRIPTION
CL-2868	2'8" X 6'8"	CLASSIC ENTRY W/O TRIM
CL-2868CB	2'8" X 6'8"	CLASSIC ENTRY - CROSS BUCK
CL-2868CC	2'8" X 6'8"	CLASSIC ENTRY - CLASSIC CARRIAGE
CL-2868SAT	2'8" X 6'8"	CLASSIC ENTRY - SMOOTH ARCH TOP
CL-3068	3' X 6'8"	CLASSIC ENTRY W/O TRIM
CL-3068CB	3' X 6'8"	CLASSIC ENTRY - CROSS BUCK
CL-3068CC	3' X 6'8"	CLASSIC ENTRY - CLASSIC CARRIAGE
CL-3068SAT	3' X 6'8"	CLASSIC ENTRY - SMOOTH ARCH TOP
CL-3070	3' X 7'	CLASSIC ENTRY W/O TRIM
CL-3070CB	3' X 7'	CLASSIC ENTRY - CROSS BUCK
CL-3070CC	3' X 7'	CLASSIC ENTRY - CLASSIC CARRIAGE
CL-3070SAT	3' X 7'	CLASSIC ENTRY - SMOOTH ARCH TOP
CL-4068	4' X 6'8"	CLASSIC ENTRY W/O TRIM
CL-4068CB	4' X 6'8"	CLASSIC ENTRY - CROSS BUCK
CL-4068CC	4' X 6'8"	CLASSIC ENTRY - CLASSIC CARRIAGE
CL-4068SAT	4' X 6'8"	CLASSIC ENTRY - SMOOTH ARCH TOP
CL-4070	4' X 7'	CLASSIC ENTRY W/O TRIM
CL-4070CB	4' X 7'	CLASSIC ENTRY - CROSS BUCK
CL-4070CC	4' X 7'	CLASSIC ENTRY - CLASSIC CARRIAGE
CL-4070SAT	4' X 7'	CLASSIC ENTRY - SMOOTH ARCH TOP
CL-4080	4' X 8'	DBL CLASSIC ENTRY W/O TRIM
CL-4080CB	4' X 8'	DBL CLASSIC ENTRY - CROSS BUCK
CL-4080CC	4' X 8'	DBL CLASSIC ENTRY - CLASSIC CARRIAGE
CL-4080SAT	4' X 8'	DBL CLASSIC ENTRY - SMOOTH ARCH TOP
CL-6068	6' X 6'8"	DBL CLASSIC ENTRY W/O TRIM
CL-6068CB	6' X 6'8"	DBL CLASSIC ENTRY - CROSS BUCK
CL-6068CC	6' X 6'8"	DBL CLASSIC ENTRY - CLASSIC CARRIAGE
CL-6068SAT	6' X 6'8"	DBL CLASSIC ENTRY - SMOOTH ARCH TOP
CL-6070	6' X 7'	DBL CLASSIC ENTRY W/O TRIM
CL-6070CB	6' X 7'	DBL CLASSIC ENTRY - CROSS BUCK
CL-6070CC	6' X 7'	DBL CLASSIC ENTRY - CLASSIC CARRIAGE
CL-6070SAT	6' X 7'	DBL CLASSIC ENTRY - SMOOTH ARCH TOP



CROSSBUCK

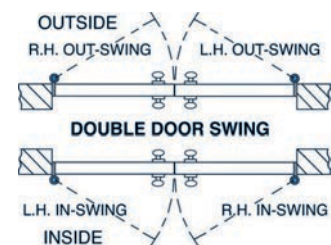


CLASSIC CARRIAGE

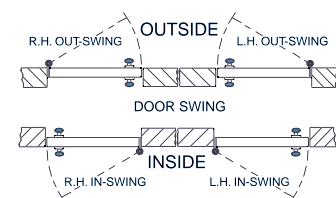


SMOOTH ARCH

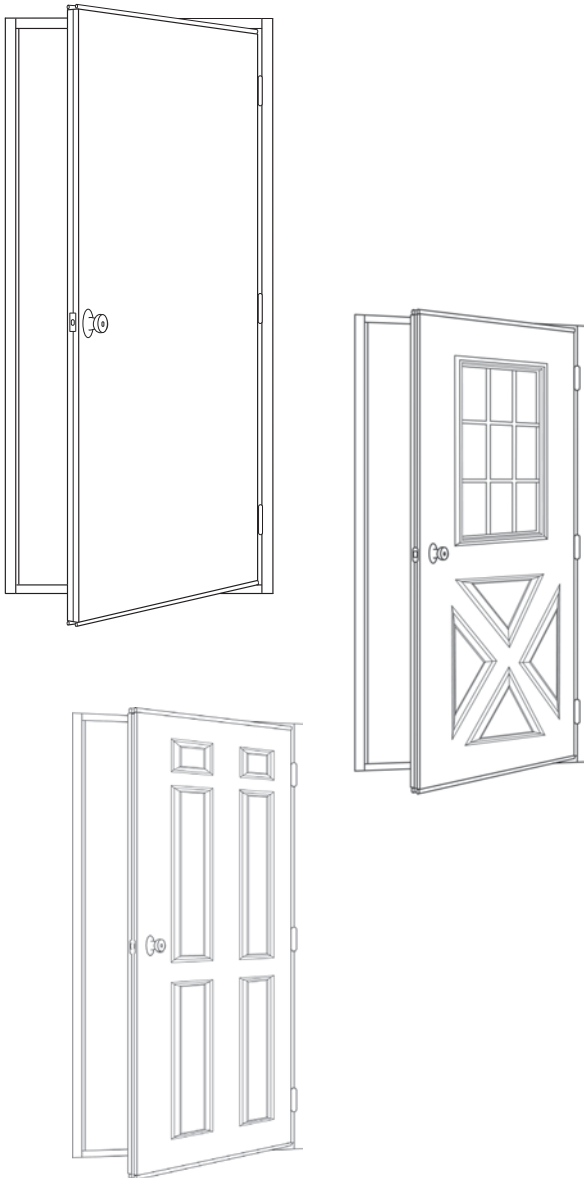
WHEN ORDERING A DOUBLE DOOR YOU MUST SPECIFY THE ACTIVE DOOR PANEL AND SWING



WHEN ORDERING YOU MUST SPECIFY DOOR SWING



STANDARD ENTRY DOOR



THE ST26 DOOR SERIES

ADDITIONAL FEATURES

- Full 1-3/4" thick panel w/26 Ga. skins
- Exclusive inner lock design puts frame on inside of door for quality commercial appearance
- All steel frame - all steel skin, pre-hung 4-way universal swing
- Frame has common header/threshold and nailing and non-nailing jamb and meets handicap specifications
- Nylon lockset insert eliminates lockset loosening - no wood block to deteriorate or absorb moisture
- Pre-finished steel frame with Dual Contact weather strip
- Fixed-pin hinges
- 2 3/4" backset standard

OPTIONS AVAILABLE FOR ALL AS DOORS

- Windows
- Dead bolt lockset
- Door closer
- Double door with astragal - no center post

ST24 DOOR

ADDITIONAL FEATURES

- Available in white or brown
- Universal 4 way swing, unless supplied with a window
- 24 Ga skin

ST24CB CROSS BUCK

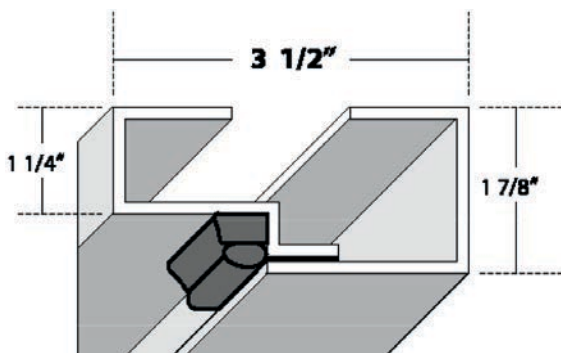
ADDITIONAL FEATURES

- Available in white only
- Cross buck design on both sides
- Must specify swing when ordering
- 24 Ga skin

ST24-6P DOOR

ADDITIONAL FEATURES

- Available in white only
- 6 panel design on both sides
- Must specify swing when ordering
- 24 Ga skin



**16 GA. STEEL FRAME
DUAL CONTACT WEATHER STRIP**

STANDARD ENTRY DOORS

ST26 DOOR

PART #	ACTUAL UNIT SIZE	DESCRIPTION
ST26-2868	34 5/8 X 80 5/8	2/8 X 6/8 ALL STEEL
ST26-3068	38 5/8 X 80 5/8	3/0 X 6/8 ALL STEEL
ST26-3070	38 5/8 X 84 5/8	3/0 X 7/0 ALL STEEL
ST26-4068	48 5/8 X 80 5/8	4/0 X 6/8 ALL STEEL
ST26-4070	48 5/8 X 84 5/8	4/0 X 7/0 ALL STEEL
DOUBLE DOORS		
ST26-6068	74 15/16 X 81 3/8	6/0 X 6/8 ALL STEEL
ST26-6070	74 15/16 X 85 3/8	6/0 X 7/0 ALL STEEL

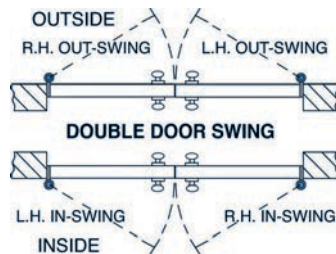
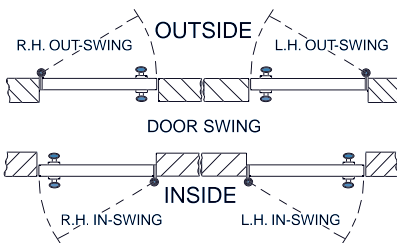
ST24CB

PART #	ACTUAL UNIT SIZE	DESCRIPTION
ST24CB-3068WCB	38 5/8 X 80 5/8	3/0 X 6/8 WHITE CROSS BUCK
DOUBLE DOOR		
ST24CB-6068WCB	74 15/16 X 81 3/8	6/0 X 6/8 WHITE CROSS BUCK

ST24-6P

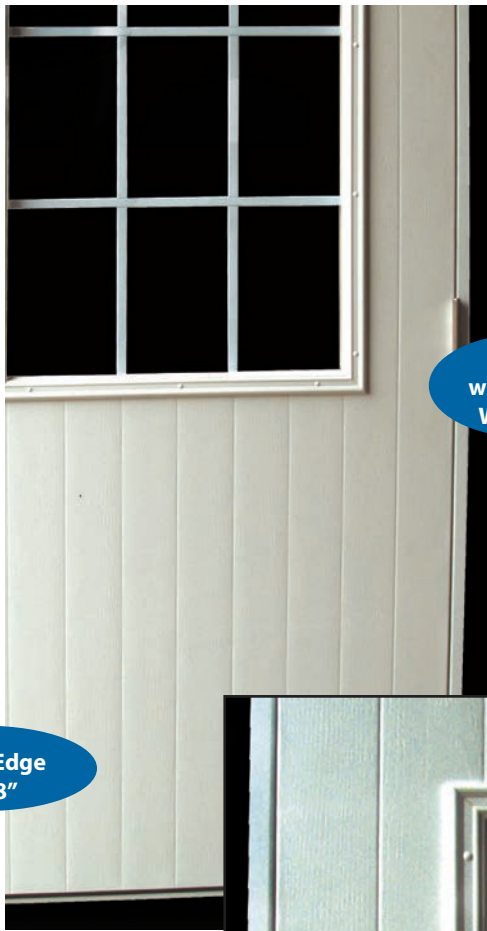
PART #	ACTUAL UNIT SIZE	DESCRIPTION
ST24-6P-3068	38 5/8 X 80 5/8	3/0 X 6/8 WHT 6 PNL STL DR RH
DOUBLE DOOR		
ST24-6P-6068	74 15/16 X 81 3/8	6/0 X 6/8 WHT 6 PNL STL DR

**WHEN ORDERING WINDOWS FOR DOORS
YOU MUST SPECIFY DOOR SWING**



STANDARD ENTRY DOORS

THE ST26NL-1 NARROW LINE FRAME



Shown
w/optional
Wainscot

Rolled Edge
1-3/8"



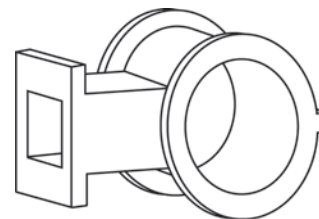
Optional Woodgrain Texture

FEATURES

- Full 1-3/8" thick panel Pre-finished Steel
- Wrap-around design gives commercial look to panel
- Pre-hung 4-way universal swing
- Frame has common header/threshold
- 2-3/4" backset standard
- Fixed-pin hinges
- Nylon lockset insert
- 16 GA. Pre-painted finish over hot dipped Galv.
- 26 Ga. skins Pre-finished but paintable
- Filled with Insulated Polyurethane Foam

OPTIONS

- Windows
- Dead bolt lockset
- Door closer
- Double door with astragal
- 24 Ga. skins (**ST24NL-1**)
- Available in White



NON-COLLAPSIBLE

NYLON LOCKSET INSERT

- Eliminates lockset loosening
- No wood block to deteriorate or absorb moisture

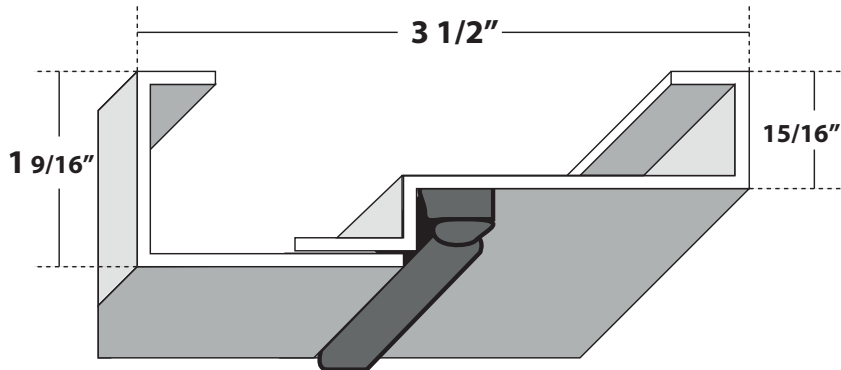
STANDARD ENTRY DOORS

ST26NL-1 NARROW LINE FRAME

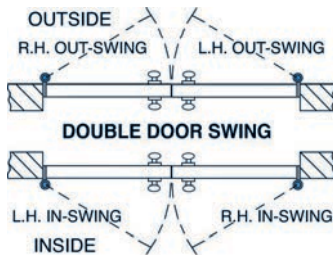
PART #	ACTUAL UNIT SIZE	DESCRIPTION
ST26NL1-2868W	33 7/8 X 80 5/8	2/8 X 6/8 ALL STEEL
ST26NL1-3068W	37 7/8 X 80 5/8	3/0 X 6/8 ALL STEEL
ST26NL1-3070W	37 7/8 X 84 5/8	3/0 X 7/0 ALL STEEL
ST26NL1-4068W	47 7/8 X 80 5/8	4/0 X 6/8 ALL STEEL
ST26NL1-4070W	47 7/8 X 84 5/8	4/0 X 7/0 ALL STEEL
DOUBLE DOORS		
ST26NL1-6068W	74 15/16 X 81 1/16	6/0 X 6/8 ALL STEEL
ST26NL1-6070W	74 15/16 X 85 1/16	6/0 X 7/0 ALL STEEL

**PLEASE NOTE:
WOODGRAIN CURRENTLY
ONLY AVAILABLE IN
3/0 X 6/8 OR SMALLER**

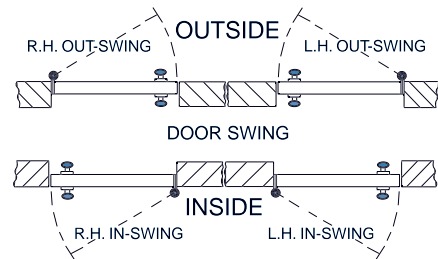
**16 GA. PRE-PAINTED FINISH OVER HOT DIPPED GALV.
DUAL CONTACT WEATHER STRIP**



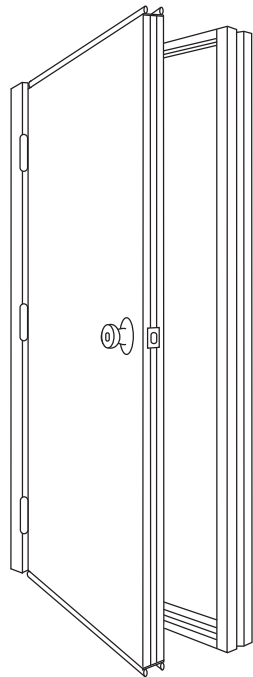
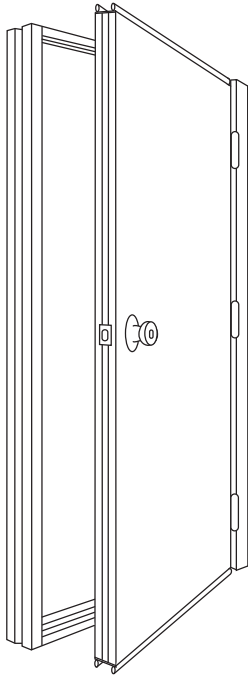
**WHEN ORDERING A DOUBLE DOOR YOU
MUST SPECIFY THE ACTIVE DOOR PANEL**



**WHEN ORDERING WINDOWS FOR DOORS
YOU MUST SPECIFY DOOR SWING**



STANDARD ENTRY DOORS



ST24HD DOOR

**STANDARD DOOR FOR MASONRY CONSTRUCTION
40" R.O. WIDTH**

FEATURES

- Full 1-3/4" thick fully insulated panel
- Prehung 4 way universal swing
- 24 Ga. steel door skins
- Available in white (w) or bronze (bz)
- Three fixed-pin hinges with reinforced plates
- 3 1/2" - 16 Ga. pre-finished steel frame
- 1/2" Threshold meets handicap specifications

OPTIONS

- Windows
- Dead bolt lockset
- Door closer
- Double door w/astragal
- 26 Ga. steel door skins (**ST26HD**)

ST24HD5 DOOR

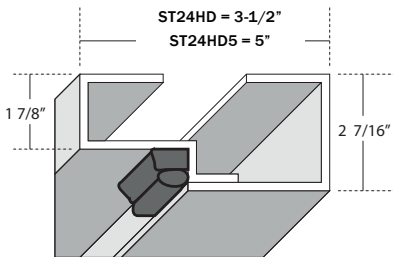
IDEAL DOOR FOR STEEL BUILDINGS 40" R.O. WIDTH

FEATURES

- Full 1-3/4" thick fully insulated panel
- Prehung 4 way universal swing
- 24 Ga. steel door skins
- Available in white (w) or bronze (bz)
- Three fixed-pin hinges with reinforced plates
- 5" - 16 Ga. pre-finished steel frame
- Exclusive innerlock design puts frame inside of door for quality commercial appearance

OPTIONS

- Windows
- 26 Ga. skins (**ST26HD5**)
- Dead bolt lockset
- Double door w/ astragal



16 GA. STEEL FRAME DUAL CONTACT WEATHER STRIP

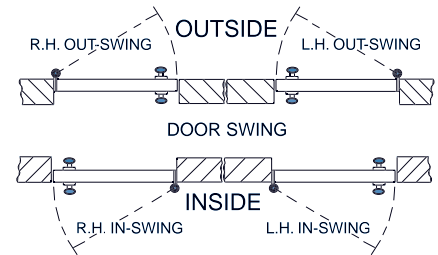
STANDARD ENTRY DOORS

UNIVERSAL 4-WAY SWING

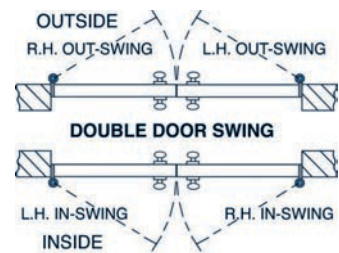
ST24HD DOOR

PART#	ACTUAL SIZE	DESCRIPTION
ST24HD-3068	39 13/16 X 80 5/8	3068 STEEL DOOR WIDE FRAME
ST24HD-3070	39 13/16 X 84 5/8	3070 STEEL DOOR WIDE FRAME
ST24HD-3080	39 13/16 X 96	3080 STEEL DOOR WIDE FRAME
ST24HD-4068	49 13/16 X 80 5/8	4068 STEEL DOOR WIDE FRAME
ST24HD-4070	49 13/16 X 84 5/8	4070 STEEL DOOR WIDE FRAME
DOUBLE DOORS		
ST24HD-6068	76 13/16 X 82	6068 STEEL DOOR WIDE FRAME
ST24HD-6070	76 13/16 X 86	6070 STEEL DOOR WIDE FRAME
ST24HD-6080	76 13/16 X 97 3/8	6080 STEEL DOOR WIDE FRAME

WHEN ORDERING WINDOWS FOR DOORS YOU MUST SPECIFY DOOR SWING

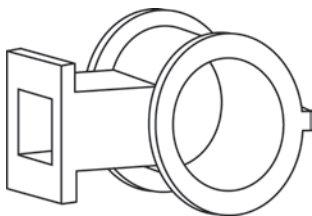


WHEN ORDERING A DOUBLE DOOR YOU MUST SPECIFY THE ACTIVE DOOR PANEL



ST24HD5 DOOR

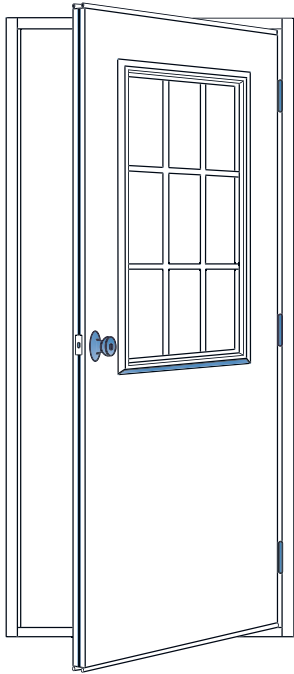
PART#	ACTUAL SIZE	DESCRIPTION
ST24HD5-3068	39 13/16 X 80 5/8	3/0 X 6/8 - CH5 - STEEL DOOR - 5" FRAME
ST24HD5-3070	39 13/16 X 84 5/8	3/0 X 7/0 - CH5 - STEEL DOOR - 5" FRAME
ST24HD5-3080	39 13/16 X 96	3/0 X 8/0 - CH5 - STEEL DOOR - 5" FRAME
ST24HD5-4068	49 13/16 X 80 5/8	4/0 X 6/8 - CH5 - STEEL DOOR - 5" FRAME
ST24HD5-4070	49 13/16 X 84 5/8	4/0 X 7/0 - CH5 - STEEL DOOR - 5" FRAME
DOUBLE DOORS		
ST24HD5-6068	76 13/16 X 82	6/0 X 6/8 - CH5 - STEEL DOOR - 5" FRAME
ST24HD5-6070	76 13/16 X 86	6/0 X 7/0 - CH5 - STEEL DOOR - 5" FRAME
ST24HD5-6080	76 13/16 X 97 3/8	6/0 X 8/0 - CH5 - STEEL DOOR - 5" FRAME



NON-COLLAPSIBLE NYLON LOCKSET INSERT

- Eliminates lockset loosening
- No wood block to deteriorate or absorb moisture

STANDARD ENTRY DOORS



THE THERMAL BREAK QUALITY DOOR PROVIDES

- Excellent energy savings
- Attractive seamless appearance
- Economy with durability
- Ease of installation
- Low maintenance (no painting)

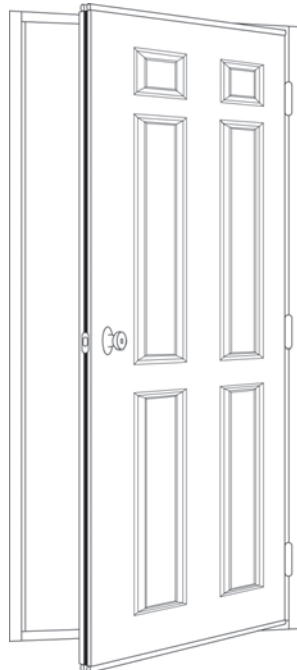
TB24 DOOR

HEAVY-DUTY PRE-FINISHED STEEL DOOR FEATURES

- Full thermal break of jambs, header / threshold and panel
- 16 Ga. x 3 1/2" pre-painted jambs - white or bronze
- 24 Ga. pre-painted door panel white, bronze, brown
- Full perimeter weatherstripping
- Universal 4 way swing
- 3'0" x 6'-8" and 3'-0" x 7'-0" standard sizes
- Three fixed pin hinges
- Nylon lockset insert
- Adjustable strike plate
- Prepped for closure

OPTIONS

- Windows
- Dead bolt lockset
- Door closer
- Double door with astragal



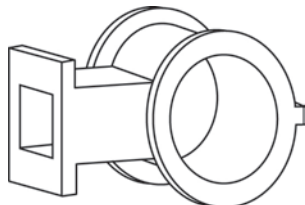
TB24-6P - 6 PANEL

FEATURES

- Full thermal break of jambs, header/threshold and panel
- 16 Ga. x 3 1/2" pre-painted jambs white
- Full perimeter weather-stripping, universal 4 way swing
- Nylon lockset insert
- Three fixed pin hinges
- Adjustable strike plate
- Prepped for closure

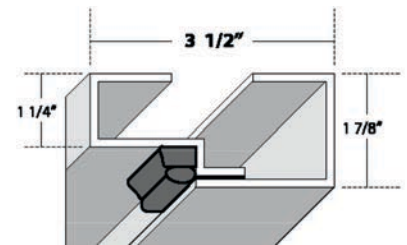
OPTIONS

- Windows
- Dead bolt lockset
- Door closure
- Double door w/ astragal



NON-COLLAPSIBLE NYLON LOCKSET INSERT

- Eliminates lockset loosening
- No wood block to deteriorate or absorb moisture



16 GA. STEEL FRAME DUAL CONTACT WEATHER STRIP

STANDARD ENTRY DOORS

UNIVERSAL 4-WAY SWING

TB24 DOOR

PART #	ACTUAL UNIT SIZE	DESCRIPTION	COLOR
TB24-3068	38 5/8 X 80 5/8	3/0 X 6/8 THERMAL DOOR	
TB24-4068	48 5/8 X 80 5/8	4/0 X 6/8 THERMAL DOOR	
TB24-3070	38 5/8 X 84 5/8	3/0 X 7/0 THERMAL DOOR	
TB24-4070	48 5/8 X 84 5/8	4/0 X 7/0 THERMAL DOOR	
DOUBLE DOORS			
TB24-6068	74 15/16 X 81 3/8	6/0 X 6/8 THERMAL DOOR	
TB24-6070	74 15/16 X 85 3/8	6/0 X 7/0 THERMAL DOOR	
TB24-8080	95 X 96	8/0 X 8/0 THERMAL DOOR	

Available in White, Bronze, or Brown.

Add - W for White, BZ for Bronze, or BR for Brown to the end of the part#.

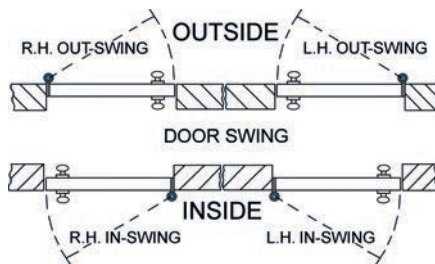
TB24-6P

PART #	ACTUAL UNIT SIZE	DESCRIPTION
TB24-6P-3068	38 5/8 X 80 5/8	3/0 X 6/8 T8 - 6 PNL STL DOOR
DOUBLE DOORS		
TB24-6P-6068	74 15/16 X 81 3/8	6/0 X 6/8 T8 - 6 PNL STL DOOR

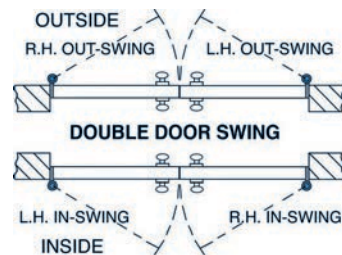
Available in White only

Windows and 6-panel design requires specified swing

**WHEN ORDERING WINDOWS FOR DOORS
YOU MUST SPECIFY DOOR SWING**



**WHEN ORDERING A DOUBLE DOOR YOU
MUST SPECIFY THE ACTIVE DOOR PANEL**



STANDARD ENTRY DOORS

THE ST26HDE DOOR

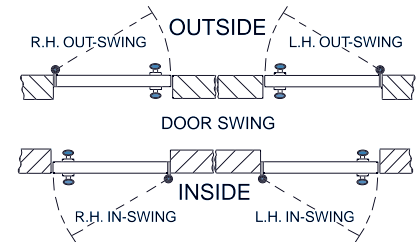
FEATURES:

- Full 1-3/4" thick fully insulated panel
- Prehung 4 way universal swing
- 26 Ga. Steel door skins
- Three zinc plated hinges
- 3-1/2" prepainted steel frame
- Aluminum header/threshold meets handicap specifications

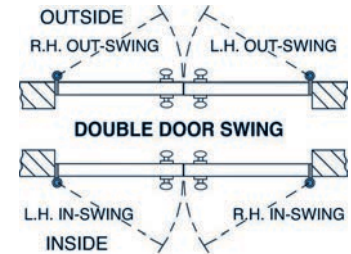
OPTIONS:

- Windows
- Dead bolt lockset
- Door closure
- Stainless steel hinges

WHEN ORDERING WINDOWS FOR DOORS YOU MUST SPECIFY DOOR SWING

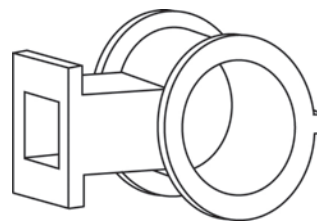


WHEN ORDERING A DOUBLE DOOR YOU MUST SPECIFY THE ACTIVE DOOR PANEL



ST26HDE DOOR

PART#	ACTUAL SIZE	DESCRIPTION
ST26HDE-2868	35 13/16 x 80 5/8	3068 STEEL DOOR WIDE FRAME
ST26HDE-3068	39 13/16 x 80 5/8	3068 STEEL DOOR WIDE FRAME
ST26HDE-3070	39 13/16 x 84 5/8	3070 STEEL DOOR WIDE FRAME
ST26HDE-3080	39 13/16 x 96	3080 STEEL DOOR WIDE FRAME
ST26HDE-4068	49 13/16 x 80 5/8	4068 STEEL DOOR WIDE FRAME
ST26HDE-4070	49 13/16 x 84 5/8	4070 STEEL DOOR WIDE FRAME
DOUBLE DOORS		
ST26HDE-6068	76 13/16 x 82	6068 STEEL DOOR WIDE FRAME
ST26HDE-6070	76 13/16 x 86	6070 STEEL DOOR WIDE FRAME
ST26HDE-6080	76 13/16 x 97 3/8	6080 STEEL DOOR WIDE FRAME

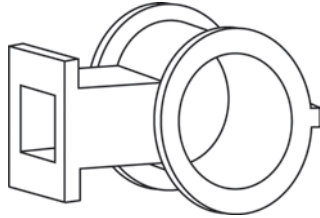
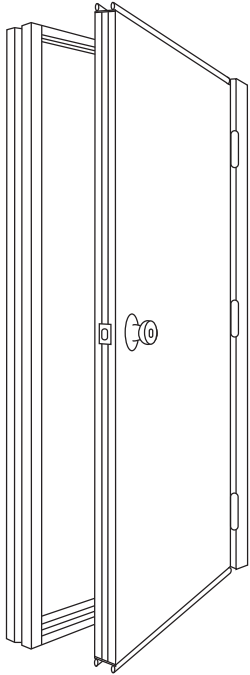


NON-COLLAPSIBLE NYLON LOCKSET INSERT

- Eliminates lockset loosening
- No wood block to deteriorate or absorb moisture

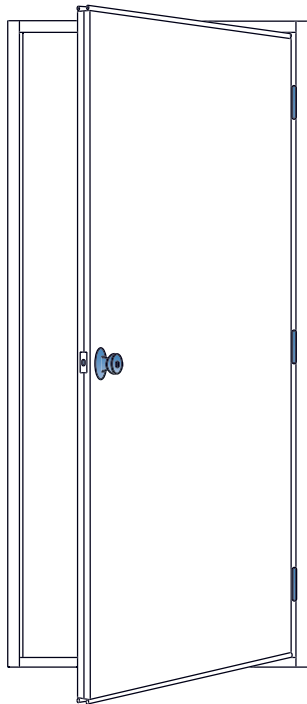
STANDARD ENTRY DOORS

THE AL26 DOOR



NON-COLLAPSIBLE NYLON LOCKSET INSERT

- Eliminates lockset loosening
- No wood block to deteriorate or absorb moisture



FEATURES

- Full 1-3/4" thick panel
- Wrap-around design gives commercial look to panel
- Pre-hung 4-way universal swing
- Frame has common header/threshold and nailing and non-nailing jambs, available in white, brown, or mill frame
- 2-3/4" backset standard
- Fixed-pin hinges
- Nylon lockset insert
- Aluminum frame
- 26 Ga. skins

OPTIONS

- Windows
- Dead bolt lockset
- Door closer
- Double door with astragal
- Nailing flange - installed or packaged separately
- 24 Ga. skins (**AL24**)

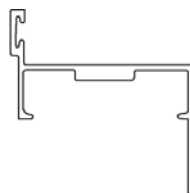
AL26U UTILITY DOOR

FEATURES

- Full 1-3/4" thick 4-way swing fully insulated steel panel
- Wrap-around design gives commercial look to panel
- Frame has common header/threshold and nailing flange standard
- Available in white only
- Economy and durability
- All aluminum pre-painted frame
- 2-3/4" backset standard
- Low maintenance (no painting)
- Fixed-pin hinges
- Pre-hung - universal swing
- Nylon lockset insert eliminates lockset loosening - no wood block to deteriorate or absorb moisture
- 26 Ga. skins

OPTIONS

- Windows
- Stainless steel roller bearing hinges
- Dead bolt lockset
- Door closer
- Double door with astragal
- 24 Ga. skins (**AL24U**)



Flange can be installed on either side to provide either inswing or outswing application

STANDARD ENTRY DOORS

UNIVERSAL 4-WAY SWING

AL26 DOOR

PART #	ACTUAL UNIT SIZE	DESCRIPTION
AL26-2868	33 5/16 X 81 1/8	2/8 X 6/8 MILL FRAME STEEL PNL
AL26-2868	33 5/16 X 81 1/8	2/8 X 6/8 PAINTED FRAME STEEL PNL
AL26-3068	37 5/16 X 81 1/8	3/0 X 6/8 MILL FRAME STEEL PNL
AL26-3068	37 5/16 X 81 1/8	3/0 X 6/8 PAINTED FRAME STEEL PNL
AL26-4068	47 5/16 X 81 1/8	4/0 X 6/8 MILL FRAME STEEL PNL
AL26-4068	47 5/16 X 81 1/8	4/0 X 6/8 PAINTED FRAME STEEL PNL
DOUBLE DOORS		
AL26-6068	73 11/16 X 81 1/8	6/0 X 6/8 MILL FRAME STEEL PNL
AL26-6068	73 11/16 X 81 1/8	6/0 X 6/8 PAINTED FRAME STEEL PNL

Available in White or Brown Add - W for White or B for Brown to the end of the part#.

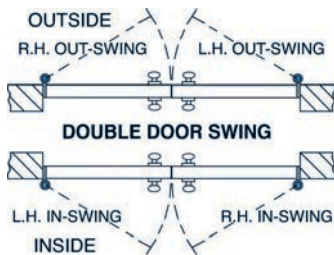
*Note 4/0 in bronze or white only - no brown

AL26U UTILITY DOOR - WHITE ONLY

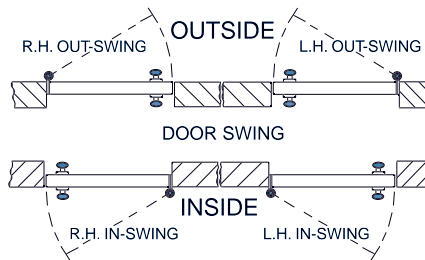
PART #	ACTUAL UNIT SIZE	DESCRIPTION
AL26U-3060	36 13/16 X 72 5/8	3/0 X 6/0 STEEL DOOR
AL26U-3068	36 13/16 X 80 5/8	3/0 X 6/8 STEEL DOOR
AL26U-4060	46 13/16 X 72 5/8	4/0 X 6/0 STEEL DOOR
AL26U-4068	46 13/16 X 80 5/8	4/0 X 6/8 STEEL DOOR
DOUBLE DOORS		
AL26U-6060	73 13/16 X 72 5/8	6/0 X 6/0 STEEL DOOR
AL26U-6068	73 13/16 X 80 5/8	6/0 X 6/8 STEEL DOOR

Available in White Only

WHEN ORDERING A DOUBLE DOOR YOU MUST SPECIFY THE ACTIVE DOOR PANEL



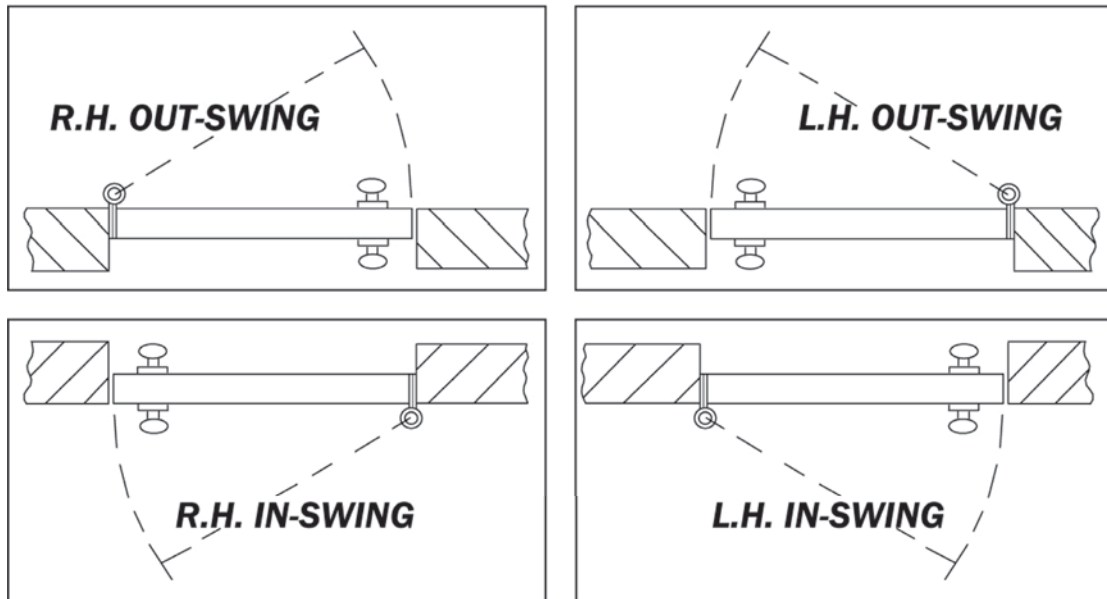
WHEN ORDERING WINDOWS FOR DOORS YOU MUST SPECIFY THE DOOR SWING



DOOR ACCESSORIES

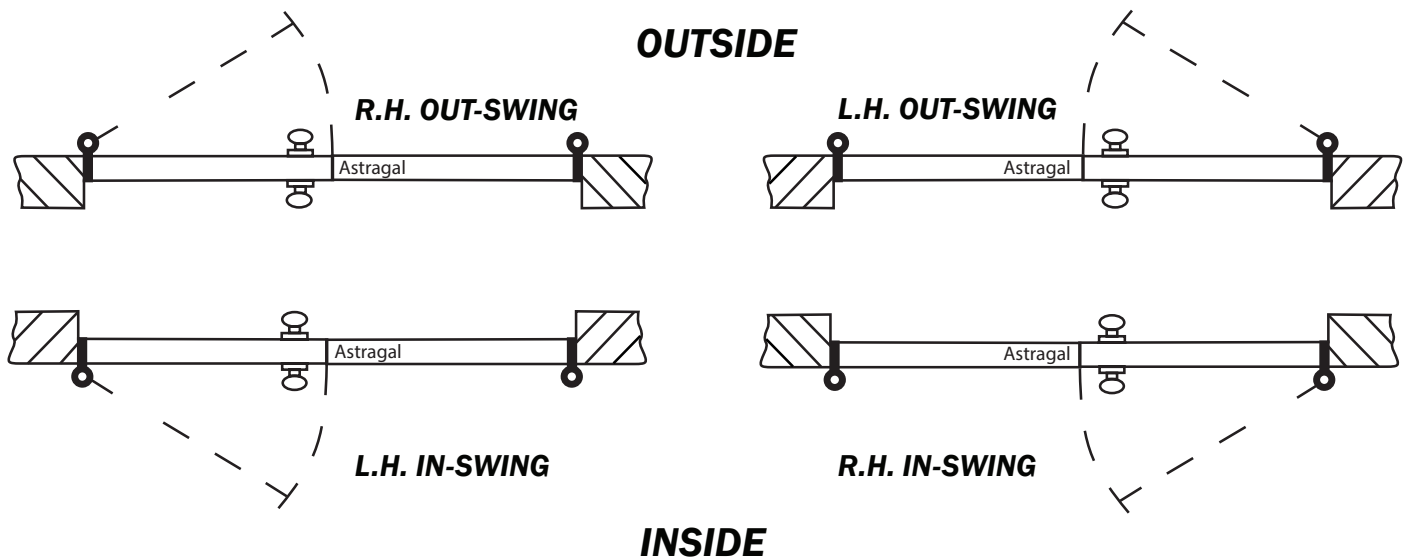
PLEASE BE SURE TO INDICATE THE DOOR SWING SPECIFICS ON EACH ORDER

OUTSIDE DOOR SWING

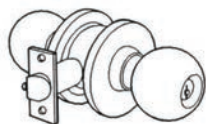
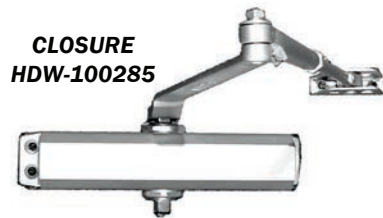


INSIDE DOOR SWING

DOUBLE DOOR SWING CHART



DOOR ACCESSORIES



KICK PLATES
HDW-200235

PUSH/PULL PLATES
HDW-200236 HDW-200237

DOOR ACCESSORIES

PART #	DESCRIPTION
HDW-100324	PANIC HDW W/ BALL KNOB, FLUSH MOUNT
HDW-200282	PANIC HDW W/ LEVER LOCK, FLUSH MOUNT
HDW-100325	PANIC HDW ONLY
HDW-100285	DOOR CLOSURE #3 REG ARM
HDW-200309	COMMERCIAL LOCKSET
HDW-200316	COMMERCIAL LOCKSET PRIVACY
HDW-200313	COMMERCIAL LOCKSET PASSAGE
HDW-200201	STD. LOCKSET
HDW-200201EZA	STD. LOCKSET EZ KEYED ALIKE
HDW-200201EZD	STD. LOCKSET EZ KEYED DIFFERENT
HDW-200201MK	STD. LOCKSET MASTER KEY
HDW-200201KA	STD. LOCKSET KEYED ALIKE
HDW-200275	STD. LOCKSET PASSAGE
HDW-200202LD	STD. LOCK AND DEADBOLT SET
HDW-200202LDEZ	STD. LOCK AND DEADBOLT SET EZ
HDW-200204	STD. DEADBOLT
HDW-200204EZ	STD. DEADBOLT EZ
HDW-200202	COMMERCIAL DEADBOLT
HDW-200200E	STD. LEVER/LEVER LOCKSET
HDW-200200P	STD. LEVER/LEVER LOCKSET PASSAGE
HDW-200192	COMMERCIAL LEVER/LEVER LOCKSET
HDW-200192-KA	COMMERCIAL LEVER/LEVER LOCKSET - KEYED ALIKE
HDW-200045	COMMERCIAL LEVER/LEVER LOCKSET PASSAGE

HARDWARE OPTIONS

PART #	DESCRIPTION
HDW-200233	LATCH GUARD
HDW-200235	KICK PLATE, ALUMINUM 10 X 34
HDW-200236	PULL PLATE, ALUMINUM 3 1/2 X 15
HDW-200236-2	PULL PLATE W/ 1-1/8 FOR DEADBOLT 3 1/2 X 15
HDW-200237	PUSH PLATE, ALUMINUM 3 1/2 X 15
DRH-200329	STAINLESS STEEL BALL BEARINGS HINGES
DRH-100364	FIXED PIN HINGES, ZINC
DRH-100365HP	FIXED PIN HINGES, SS
DR-200191	MASONRY CLIPS FOR DOORS

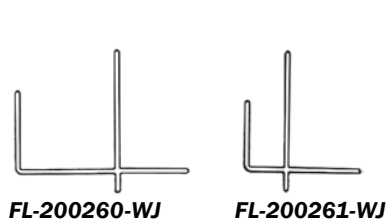
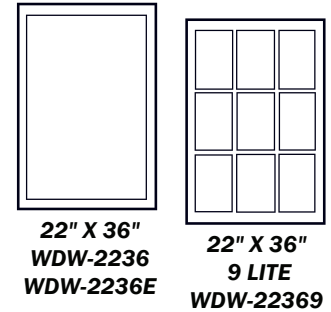
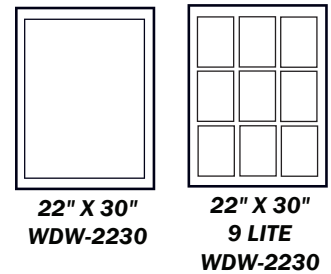
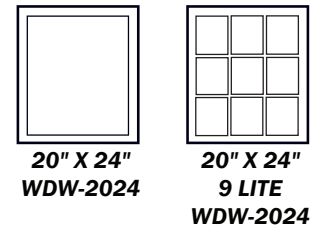
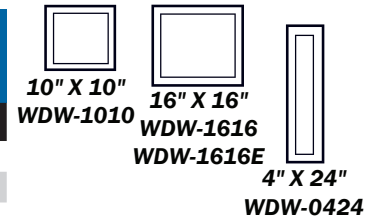
DOOR ACCESSORIES

**TO SPECIFY COLOR PLEASE ADD "B" (BROWN) "BZ" (BRONZE) NEXT TO QTY. TAB
TO SPECIFY TYPE PLEASE ADD "IN" (INSTALLED) "K" (KIT) "W" (WIRE)
WINDOW KITS 1" INSULATED GLASS (UNLESS NOTED)**

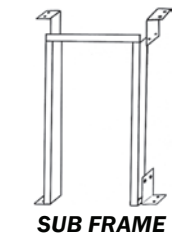
PART#	DESCRIPTION
WDW - 1010	10 X 10 WDW KIT 1"
WDW - 1616E	16 X 16 ECONOMY WDW 1/2"
WDW - 1616	16 X 16 WDW KIT
WDW - 0424	4 X 24 WDW KIT 1"
WDW - 2024	20 X 24 WDW KIT 1"
WDW - 20249	20 X 24 WDW KIT 1" - 9 LITE
WDW - 2230	22 X 30 WDW KIT 1"
WDW - 22309	22 X 30 WDW KIT 1" - 9 LITE
WDW - 2236E	22 X 36 1-LT ECONOMY WDW - 1/2"
WDW - 22369E	22 X 36 ECONOMY WDW - 9 LITE 1"
WDW - 2236	22 X 36 1-LT WDW KIT 1"
WDW - 22369	22 X 36 WDW KIT 1" - 9 LITE
WDW - 0764	7 X 64 1-LT WDW KIT 1"
WDW - 2264	22 X 64 1-LT WDW KIT 1"
WDW - 2236IN1-3/8	22 X 36 - 1 LITE WDW KIT FOR 1-3/8" PANEL
WDW - 22369IN1-3/8	22 X 36 - 9 LITE WDW KIT FOR 1 3/8" PANEL

NAILING FLANGES AND EXTENSION KITS

PART #	DESCRIPTION
FL-200260-WJ	80 5/8 - 1" TRIM NAIL FLANGE FOR ST24/TB24/ST26HD STEEL DOORS
FL-200261-WJ	80 5/8 - 3/8" TRIM NAIL FLANGE FOR ST24/TB24/ST26HD STEEL DOORS
FL-200258-W OR B	81 1/8 - WHITE NAIL FLANGE W/J TRIM FOR ALUMINUM FRAME
FL-200259-WJ	81 1/8 - WHITE NAIL FLANGE W/J TRIM FOR ALUMINUM FRAME
SF-200271	SUB FRAME ASSY ST26HD 6068 W/ HEADER 85 3/8" H
SF-200272	SUB FRAME ASSY ST26HD 3070 W/ HEADER 84 5/8" H
SF-200273	SUB FRAME ASSY ST26HD 4070 W/ HEADER 84 5/8" H
SF-200274	SUB FRAME ASSY ST26HD 6068 W/ HEADER 80 5/8" H
SF-200275	SUB FRAME ASSY ST26HD 3070 W/ HEADER 84 5/8" H
SF-200268	SUB FRAME ASSY ST26HD 4068 W/ HEADER 80 5/8" H
SF-200269	SUB FRAME ASSY ST26HD 4068 W/ HEADER 80 5/8" H
SC-200016M	AL26 SNAP CAP MILL FOR 3/0 DOOR
SC-200016W	AL26 SNAP CAP WHITE FOR 3/0 DOOR
SC-200036W	SNAP CAP FOR 3/0 DOORS W/STEEL FRAMES (ST24/TB24/ST26HD)
SC-200048W	SNAP CAP FOR 4/0 DOORS W/STEEL FRAMES (ST24/TB24/ST26HD)



ALL STEEL FRAME NAILING FLANGE FOR ST24, TB24, ST26HD DOORS



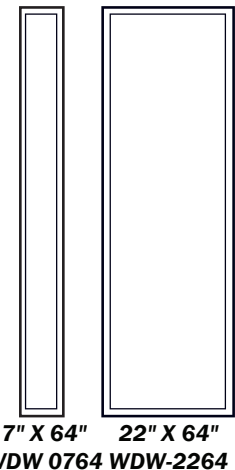
CONVERTS JAMB TO 8"



FL-200258-W FOR AL26 SERIES ONLY



FL-200259-WJ FOR AL26 SERIES ONLY



FILLER FOR MASONRY OPENING CONVERTS 7'-0" UP TO 88"

FM-400101 STAINLESS

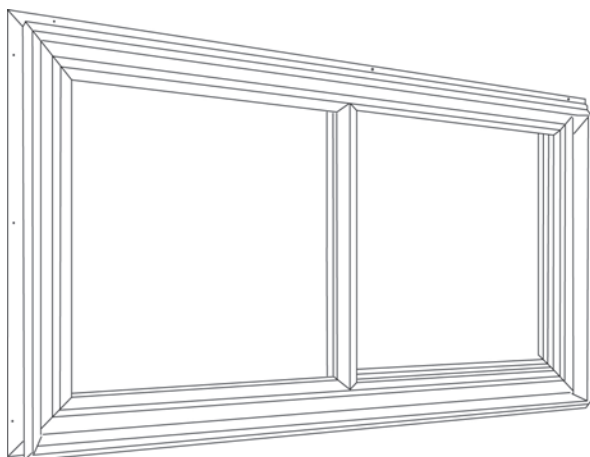


WINDOWS

www.westernproductsinc.com

WINDOWS

WINDOWS



*The Ideal Window for
Aluminum or Vinyl
Sided Buildings*

ALL STAR WINDOW

AVAILABLE IN THREE STYLES:

- Style 1- Exterior window with 1" built in J-trim & Nail flange
- Style 2 - exterior window with nail flange only, no J-trim
- Style 3 - Interior window with no screen or cam lock.

FEATURES

- Two glass panels, one screen panel
- Panels are spring-loaded to prevent binding
- No metal to metal contact between panels and frame
- Panels are removable for repair using re-usable glazing
- Cam lock provided for security
- Tension sealed
- Self flashing
- Reglazable
- Available in white or brown
- Optional window grills
- 1" J for Metal Siding

ALL STAR WINDOW

PART #	R.O.	DESCRIPTION
WP - 100000	36" WIDE X 20 1/2" HIGH	J - EXT W/ "J" TRIM
WP - 100014	36" WIDE X 20 1/2" HIGH	E - EXT W/ PLAIN TRIM
WP - 100004	36" WIDE X 20 1/2" HIGH	I - INTERIOR W/ PLAIN TRIM
WP - 100001	36" WIDE X 24 1/2" HIGH	J - EXT W/ "J" TRIM
WP - 100015	36" WIDE X 24 1/2" HIGH	E - EXT W/ PLAIN TRIM
WP - 100005	36" WIDE X 24 1/2" HIGH	I - INTERIOR W/ PLAIN TRIM
WP - 100082	36" WIDE X 36" HIGH	J - EXT W/ "J" TRIM
WP - 100083	36" WIDE X 36" HIGH	E - EXT W/ PLAIN TRIM
WP - 100084	36" WIDE X 36" HIGH	I - INTERIOR W/ PLAIN TRIM
WP - 100002	46 1/2" WIDE X 20 1/2" HIGH	J - EXT W/ "J" TRIM
WP - 100016	46 1/2" WIDE X 20 1/2" HIGH	E - EXT W/ PLAIN TRIM
WP - 100006	46 1/2" WIDE X 20 1/2" HIGH	I - INTERIOR W/ PLAIN TRIM
WP - 100003	46 1/2" WIDE X 24 1/2" HIGH	J - EXT W/ "J" TRIM
WP - 100017	46 1/2" WIDE X 24 1/2" HIGH	E - EXT W/ PLAIN TRIM
WP - 100007	46 1/2" WIDE X 24 1/2" HIGH	I - INTERIOR W/ PLAIN TRIM
WP - 100074	46 1/2" WIDE X 36" HIGH	J - EXT W/ "J" TRIM
WP - 100075	46 1/2" WIDE X 36" HIGH	E - EXT W/ PLAIN TRIM
WP - 100076	46 1/2" WIDE X 36" HIGH	I - INTERIOR W/ PLAIN TRIM

WINDOWS



VINYL 2-LITE SLIDING WINDOW

Features:

- Two-Wheel Duel Adjusting Brass Rollers
- Low maintenance, all fusion welded PVC construction
- 7/8" Insulated glass and screen
- 2- 5/8" Frame depth
- Removable Sashes
- Integral nailing fin
- Double-seal Weatherstripping
- Snap-in J-Channel

Options:

- Painted Exterior - Custom Colors
- Trip Glazed Insulated Glass
- Internal or External Grids
- Low-E and Argon Filled Glass

VINYL SINGLE-HUNG WINDOW

Features:

- 2- 5/8" Frame depth
- 7/8" Insulated glass
- Low-E and Argon Filled Glass
- Low maintenance, all fusion welded PVC construction
- Tilt Sashes
- Sloped sill
- Sealed Upper Sash
- Integral nailing fin
- Double-seal Weatherstripping
- Snap-in J-Channel

Options:

- Painted Exterior - Custom Colors
- Trip Glazed Insulated Glass
- Internal or External Grids
- Dual Vent Locks



VINYL 2-LITE SLIDING WINDOWS

PART #	SIZE
VY-3624	36" X 24"
VY-3636	36" X 36"
VY-3648	36" X 48"
VY-4824	48" X 24"
VY-4836	48" X 36"
VY-4848	48" X 48"
VY-4824G	48" X 24" With Grids
VY-4836G	48" x 36" With Grids
VY-4848G	48" x 48" With Grids

VINYL SINGLE HUNG WINDOWS

PART #	SIZE
VYSH-3636	36" X 36"
VYSH-3648	36" X 48"

CONTACT FACTORY FOR ADDITIONAL SIZES

WINDOWS



HEAVY-DUTY ALUMINUM 2-LITE SLIDING WINDOWS

Features:

- 3-1/4" Frame Depth
- HS-C50 AAMA Rating
- 7/8" Insulated glass and screen
- Two-Wheel Brass Rollers
- Removable Sashes
- AAMA 2604 Powder Coat Finish

Options:

- Custom Colors/Finishes
- Nailing Fin
- Casement Fin
- Internal or External Grids
- Low-E and Argon Filled Glass

HEAVY-DUTY ALUMINUM DOUBLE-HUNG WINDOWS

Features:

- 3-1/4" Frame Depth
- AAMA CW-PG50 / C60
- 7/8" Insulated Glass
- PPG "Intercept" Insulated Glass Spacer
- Tilt Sashes
- Sloped Sill
- Anti-Drift Head Clip Lock

Options:

- Custom Colors/Finishes
- Internal or External Grids
- Low-E and Argon Filled Glass
- Continuous Head and Sill
- Casement Fin



HEAVY DUTY ALUMINUM SLIDING WINDOWS

PART #	SIZE
AMI-3624	36" X 24"
AMI-3636	36" X 36"
AM-3648	36" X 48"
AMI-4824	48" X 24"
AMI-4836	48" X 36"
AMI-4848	48" X 48"
AMI-4824G	48" X 24" With Grids
AMI-4836G	48" x 36" With Grids
AMI-4848G	48" x 48" With Grids

HEAVY-DUTY ALUMINUM DOUBLE-HUNG WINDOWS

PART #	SIZE
AMDH-3636	36" X 36"
AMDH-3648	36" X 48"

CONTACT FACTORY FOR ADDITIONAL SIZES

MERCHANDISING PROGRAM

Western Products' displays are customer oriented for self-service. These boards are light weight and can be easily hung from the ceiling, or mounted on a back wall. They help your customer locate and select needed items.

WESTERN HORSE STALLS

Partition Kit

- 2 End Channels
- 2 Wall Braces with Assembly Fasteners

Wall Kits

10'

- 2 - 48" Grille Sections
- 1 - 24" Grille
- 2 - End Channels
- 2 - Header Channels
- 1 - Wall Brace with Assembly Fasteners

12'

- 3 - 48" Grille Sections
- 2 - End Channels
- 2 - Header Channels
- 1 - Wall Brace with Assembly Fasteners

Front Wall

10'

- 1 - 48" Grille Section
- 1 - 24" Grille Section
- 4 - Header Channels
- 2 - End Channels
- 1 - Wall Brace with Assembly Fasteners

12'

- 2 - 48" Grille Sections
- 2 - End Channels
- 4 - Header Channels
- 1 - Wall Brace with Assembly Fasteners

Door Kit

- 1 - 8" Round Track
- 1 - Pair of Trolley's
- 1 - 45" x 36" Grille Section
- 2 - 84" Lumber F# Vertical Channels
- 1 - Door Step
- 1 - Sliding Latch
- 1 - Door Pull
- 1 - 4" Bottom Guide
- 1 - Bottom Guide Retainer

WESTERN PRODUCTS OF INDIANA

SLIDING DOOR HARDWARE

- 2 Box Track
- 9-2C Self Clamping Bracket
- Use 9-2C as Splice Bracket
- 2-EB End Blind
- 100-40D Apron Hanger
- 107-L Apron Hanger
- 307-T Bolt Hanger
- 600 Jamb Latch
- 620 Sliding Latch
- 630 Sliding Bolt Latch
- 50-S Door Pull
- 700 Stay Roller
- 800 Heavy Duty Stay Roller
- 8-2C Double Track Bracket
- 537 Door Step
- 540 Door Step

WESTERN PRODUCTS OF INDIANA

SLIDING DOOR HARDWARE

- 30 Round Track
- 30-3 Splice Collar
- 3-BC Face Mount Bracket
- 203-L Apron Hanger Plastic Wheels
- 203-T Bolt Trolley Plastic Wheels
- 540 Door Step
- 3 Slotted Track
- 30-3 Splice Collar
- 3-EB End Blind
- 88203-L Apron Hanger Steel Wheels w/Bearings
- 88203-T Bolt Trolley Steel Wheels w/Bearings
- 537 Door Step
- 600 Jamb Latch
- 3-EB End Blind
- 700 Stay Roller
- 800 Heavy Duty Stay Roller
- 50-S Door Pull
- 3-1PC Knock-On Bracket
- 3-FB Flushing Bracket
- 620 Sliding Latch
- 630 Sliding Bolt Latch
- 8-2C Double Track Bracket

ABOUT WESTERN PRODUCTS:

The quality of the products we produce reflects a pride in workmanship for more than seventy five years at the same location. The current owner has increased the emphasis on growth in **new products, competitive pricing** and **customer service**.

At Western, computer-aided manufacturing enters the rural building hardware market daily. For example: our round track line will provide consistently sure, smooth door movement with fingertip guidance. Steel ball bearing trolleys roll effortlessly in track which may be top or face mounted on the door frame, at your customer's convenience.

Watch for more new product announcements from Western, and expect our reputation for quality and service to endure in the years ahead.

Western's warranty is for any manufacturing defects, or malfunctions of their products. **Western** will replace any and all products that fail under the manufacturers specified work loads, and or applications.

Terms and Conditions:

Terms: 2/10 net 30 days on approved credit. A service charge of 1.5% per month will be charged on all past due accounts. when ordering broken cartons, a \$5.00 charge will apply per order.

Returns: Stock Items - All returns are to be approved and allowed at the discretion of Western Products. There will be a 15% restocking charge plus freight if the return is allowed. Special Items are not returnable.

Workmanship Guaranteed: Stock and custom items must have return authorization from Western Products. If defective, credit will be issued for the product and freight within fifteen (15) days of the return. It is the customer's responsibility to examine incoming product for damage/shortage prior to signing accepting papers. Freight claims must be filed with the carrier whenever applicable.

Special Orders: All special orders must be confirmed in writing before the order will be processed.

Order Cancellation: Stock Items - Any time before shipment. Special Items - Any time before production has begun.



P.O. Box 545 • New Castle, IN 47362

(800) 553.5142

Indiana (765) 529.6230

FAX (765) 529.2880

www.westernproductsinc.com

Accounting E-mail:

terry_westernprod@sbcglobal.net

Customer Service E-mail:

barb_westernprod@sbcglobal.net

Purchasing E-mail:

shell_westernprod@sbcglobal.net

Sales E-mail:

chuck_westernprod@sbcglobal.net

kmartindale1972@gmail.com



MADE IN THE USA

